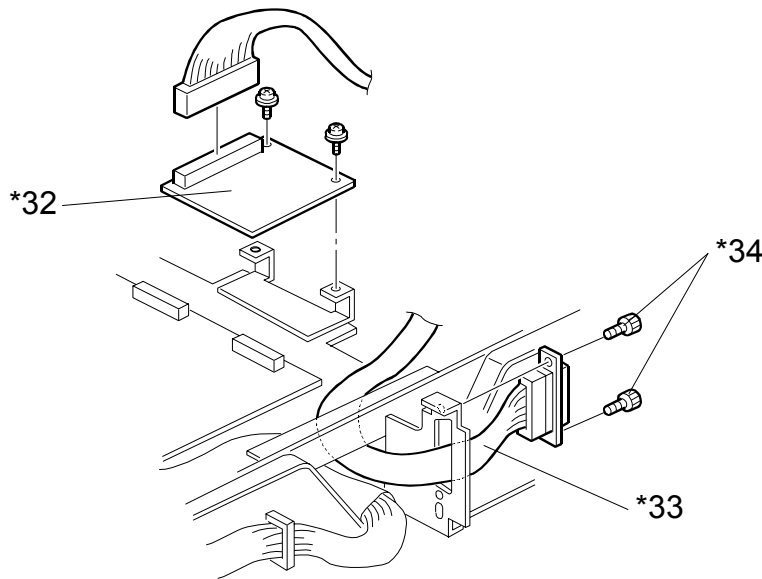


Model: PRIPORT SILVER-V		Date: 23-Oct-00	No: M-C237-001
Modified Article: Interface Kit Component Parts		Prepared by:	
From: Priport Service Planning Section		H. Onodera	
Classification: <input checked="" type="checkbox"/> Parts catalog correction <input type="checkbox"/> Vendor change <input type="checkbox"/> To meet standards <input type="checkbox"/> To facilitate assembly <input type="checkbox"/> To improve reliability () <input type="checkbox"/> Part standardization <input type="checkbox"/> Other ()			
Model Name: Ricoh JP1210/1230/1250, Gestetner 5308(L/b)/5300, RexRotary 1225(B), nashuatec CP308(b), Savin 3150eDNP, Standard SD330			

The component parts of the interface kit were missing from the parts catalog.
 Add the following items to your parts catalog.



Old part number	New part number	Description	Q'ty	Int	Page	Index	Note
-	C5801011	Interface Board	1	-	45	*32	-
-	C5801510	Relay Harness	1	-	45	*33	See next page
-	C5801550	Stepped Screw - M2.6	2	-	45	*34	-

*: New index

Model: PRIPORT SILVER-V	Date: 23-Oct-00	No: M-C237-001
--------------------------------	------------------------	-----------------------

Remarks for installing the interface kit in the Silver-V models:

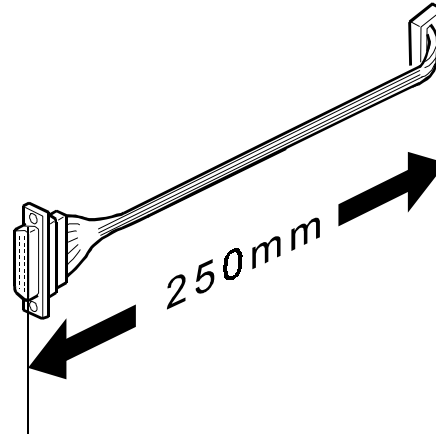
The original interface kit contained a shorter cable (Relay Harness) than the one indicated on the previous page. (The part number of the shorter cable was #C5801500.)

The cable will be modified from November 2000 production so it can be used in both Silver and Silver-V. The new cable is longer than the old one.

New cable: About 250 mm

Old cable: About 220 mm

Note: The old cable (#C5801500) can be used for the Silver models, but not for the Silver-V models because it is too short.

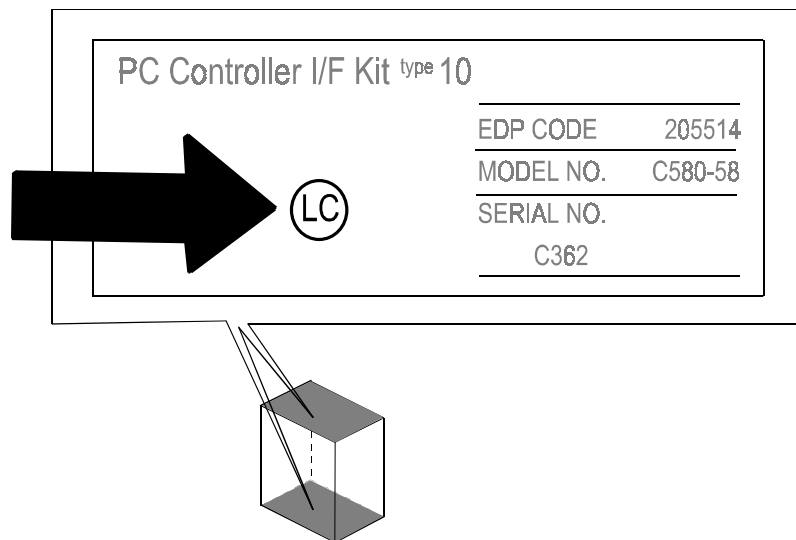


The interface kit is provided as an optional product for the Silver and Silver-V models. The cut-in serial number of the new cable is as follows.

Cut in Serial Numbers

Model Name	Code	Serial Number
Interface kit type 10	C580-58	C3620110001

For identification purposes, "LC" is stamped on the carton that includes the new cable, as shown to the right.



Model: PRIPORT SILVER-V

Date: 23-Oct-00

No: M-C237-001

CUT IN SERIAL NUMBERS

Model Name	Drum	V/Hz	Destination	Code	Serial Number
Standard SD330	Legal	120/60	USA	C237-61	-
Gestetner 5308b	B4	120/60	Taiwan	C237-63	-
Ricoh JP1230	Legal	120/60	USA, Canada	C237-67	-
Ricoh JP1250	B4	230/50	China	C237-70	-
Gestetner 5300	B4	230/50	China	C237-71	-
Ges 5308b, Rex 1225b, Nsa CP308b	B4	230/50	Europe	C237-72	-
Gestetner 5308b	B4	230/50	Asia, etc.	C237-73	-
Ricoh JP1210	A4	230/50	Europe	C237-74	-
Ges 5308, Rex 1225, Nsa CP308	A4	230/50	Europe	C237-75	-
Ricoh JP1250	B4	230/50	Europe	C237-77	-
Ricoh JP1250	B4	230/50	Asia, etc.	C237-79	-
Ricoh JP1230	Legal	230/50	Asia	C237-84	-
Gestetner 5308L	Legal	230/50	Asia, etc.	C237-85	-
Gestetner 5308L, Savin 3150eDNP	Legal	120/60	USA, Canada	C237-91	-

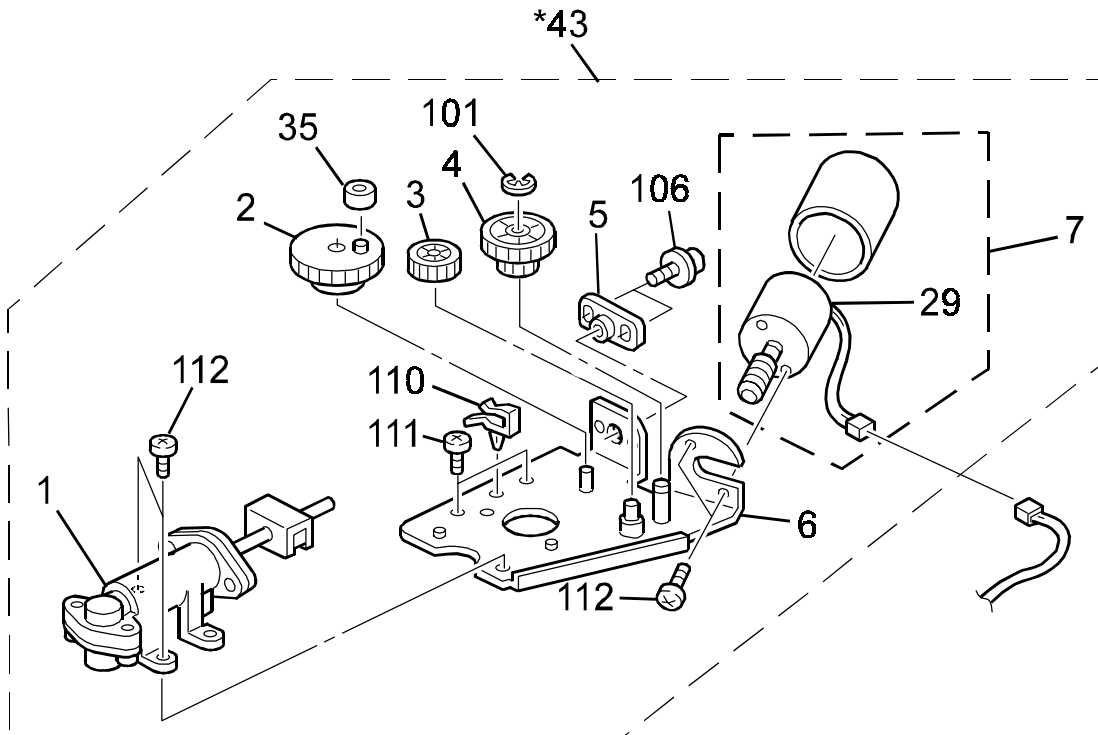
Model: PRIPORT SILVER-V		Date: 28-Dec-00	No: M-C237-002
Modified Article: Ink pump		Prepared by:	
From: Priport Service Planning Section		H. Onodera	
Classification: <input type="checkbox"/> Parts catalog correction <input type="checkbox"/> Vendor change <input type="checkbox"/> To meet standards <input checked="" type="checkbox"/> To facilitate assembly <input type="checkbox"/> To improve reliability () <input type="checkbox"/> Part standardization <input type="checkbox"/> Other ()			
Model Name: Ricoh JP1210/1230/1250, Gestetner 5308(L/b)/5300, RexRotary 1225(B), nashuatec CP308(b), Savin 3150eDNP, Standard SD330			

A part was added to the parts catalog, to facilitate assembly.

Old part number	New part number	Description	Q'ty	Int	Page	Index
-	C2372497	Pump unit	1	-	35	*43

*: New index

NOTE: The plunger position adjustment has already been done (see page 6-44 of the Silver service manual).

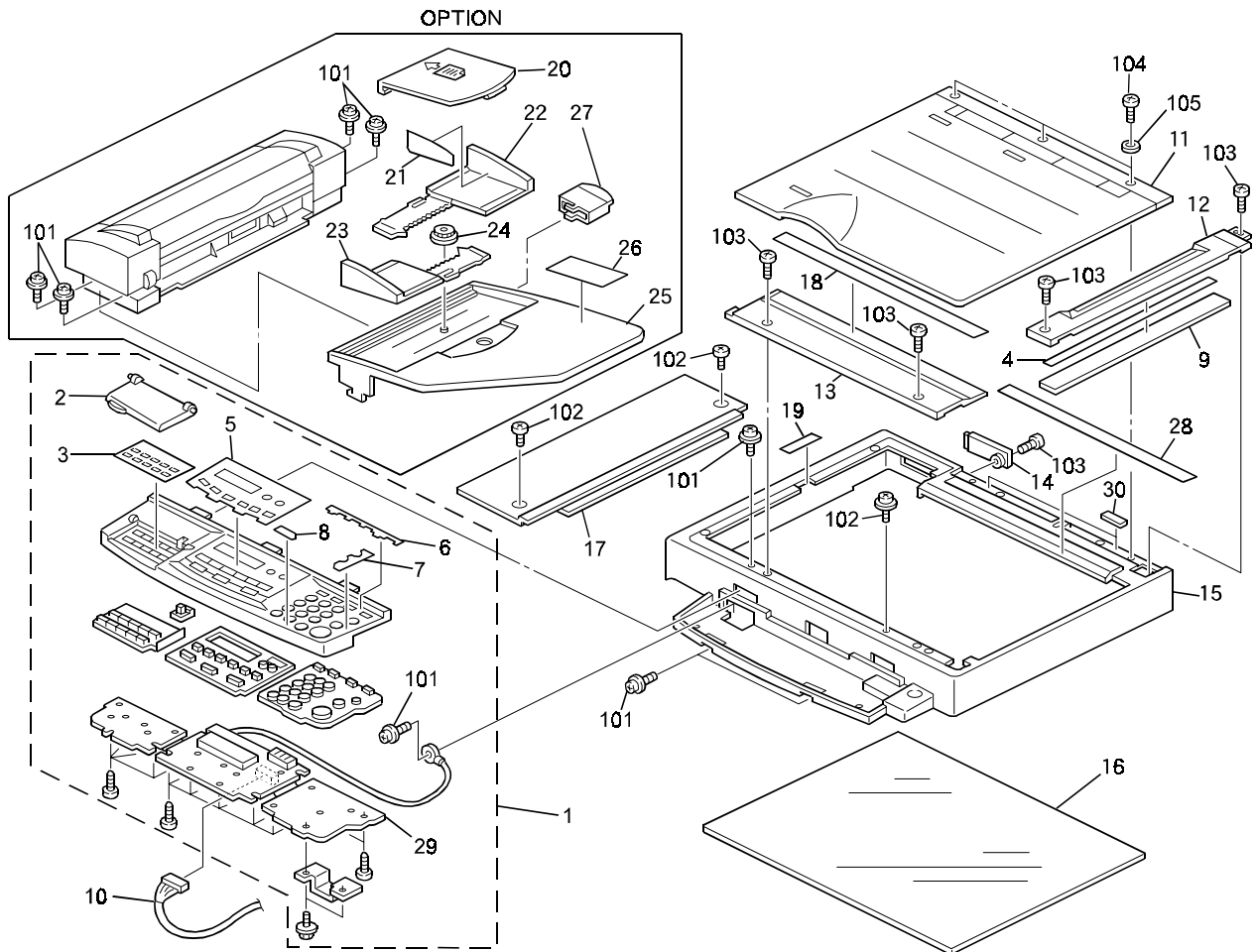


Model: PRIPORT SILVER-V		Date: 28-Dec-00	No: M-C237-003
Modified Article: Parts catalog correction		Prepared by:	
From: Priport Service Planning Section		H. Onodera	
Classification: <input checked="" type="checkbox"/> Parts catalog correction <input type="checkbox"/> Vendor change <input type="checkbox"/> To meet standards <input type="checkbox"/> To facilitate assembly <input type="checkbox"/> To improve reliability () <input type="checkbox"/> Part standardization <input type="checkbox"/> Other ()			
Model Name: Ricoh JP1210/1230/1250, Gestetner 5308(L/b)/5300, RexRotary 1225(B), nashuatec CP308(b), Savin 3150eDNP, Standard SD330			

Please correct your parts catalog as follows.

Old part number	New part number	Description	Q'ty	Int	Page	Index
C2375125	Discontinued	Operation panel board	1 → 0	-	9	29

Please order the operation panel (index 1) instead of the operation panel board (index 29).

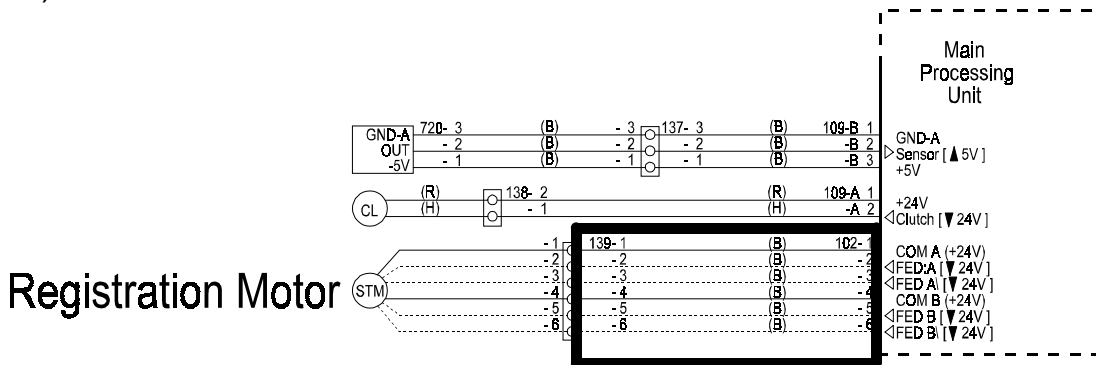


Model: PRIPORT SILVER-V		Date: 21-Mar-01	No: M-C237-004
Modified Article: Parts Catalog Correction		Prepared by:	
From: Priport Service Planning Section		H. Onodera	
Classification: <input checked="" type="checkbox"/> Parts catalog correction <input type="checkbox"/> Vendor change <input type="checkbox"/> To meet standards <input type="checkbox"/> To facilitate assembly <input type="checkbox"/> To improve reliability () <input type="checkbox"/> Part standardization <input type="checkbox"/> Other ()			
Model Name: Ricoh JP1210/1230/1250, Gestetner 5308(L/b)/5300, RexRotary 1225(B), nashuatec CP308(b), Savin 3150eDNP, Standard SD330			

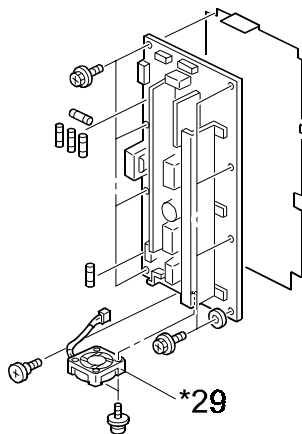
Please correct your parts catalog as follows.

Incorrect part number	Correct part number	Description	Q'ty	Int	Page	Index	Note
C2375180	H5215001	Lamp stabilizer	1	-	17	33	-
C2315812	C2098260	DC motor	1	-	41	27	-
C2375200	C2375201	DC main harness	1	-	45	11	-
	C2375230	Paper feed harness	1	-	45	-	Note 1
-	C2375302	Fan – PSU	1	-	47	*29	Note 2

Note 1: The paper feed harness connects the registration motor and the MPU (see the black frame).



Note 2: The fan is as shown below.



Model: PRIPORT SILVER-V**Date:** 21-Mar-01**No:** M-C237-004**CUT IN SERIAL NUMBERS**

Model Name	Drum	V/Hz	Destination	Code	Serial Number
Standard SD330	Legal	120/60	USA	C237-61	-
Gestetner 5308b	B4	120/60	Taiwan	C237-63	-
Ricoh JP1230	Legal	120/60	USA, Canada	C237-67	-
Ricoh JP1250	B4	230/50	China	C237-70	-
Gestetner 5300	B4	230/50	China	C237-71	-
Ges 5308b, Rex 1225b, Nsa CP308b	B4	230/50	Europe	C237-72	-
Gestetner 5308b	B4	230/50	Asia, etc.	C237-73	-
Ricoh JP1210	A4	230/50	Europe	C237-74	-
Ges 5308, Rex 1225, Nsa CP308	A4	230/50	Europe	C237-75	-
Ricoh JP1250	B4	230/50	Europe	C237-77	-
Ricoh JP1250	B4	230/50	Asia, etc.	C237-79	-
Ricoh JP1230	Legal	230/50	Asia	C237-84	-
Gestetner 5308L	Legal	230/50	Asia, etc.	C237-85	-
Gestetner 5308L, Savin 3150eDNP	Legal	120/60	USA, Canada	C237-91	-

Reissued: 28-Feb-02

Model: PRIORT SILVER-V	Date: 21-Mar-01	No: M-C237-005a
-------------------------------	------------------------	------------------------

Serial number correction

The serial number information has been corrected.

Modified Article: Pressure Plate	Prepared by:
From: Priort Service Planning Section	H. Onodera
Classification:	<input type="checkbox"/> Parts catalog correction <input type="checkbox"/> Vendor change <input type="checkbox"/> To meet standards <input type="checkbox"/> To facilitate assembly <input checked="" type="checkbox"/> To improve reliability () <input type="checkbox"/> Part standardization <input type="checkbox"/> Other ()

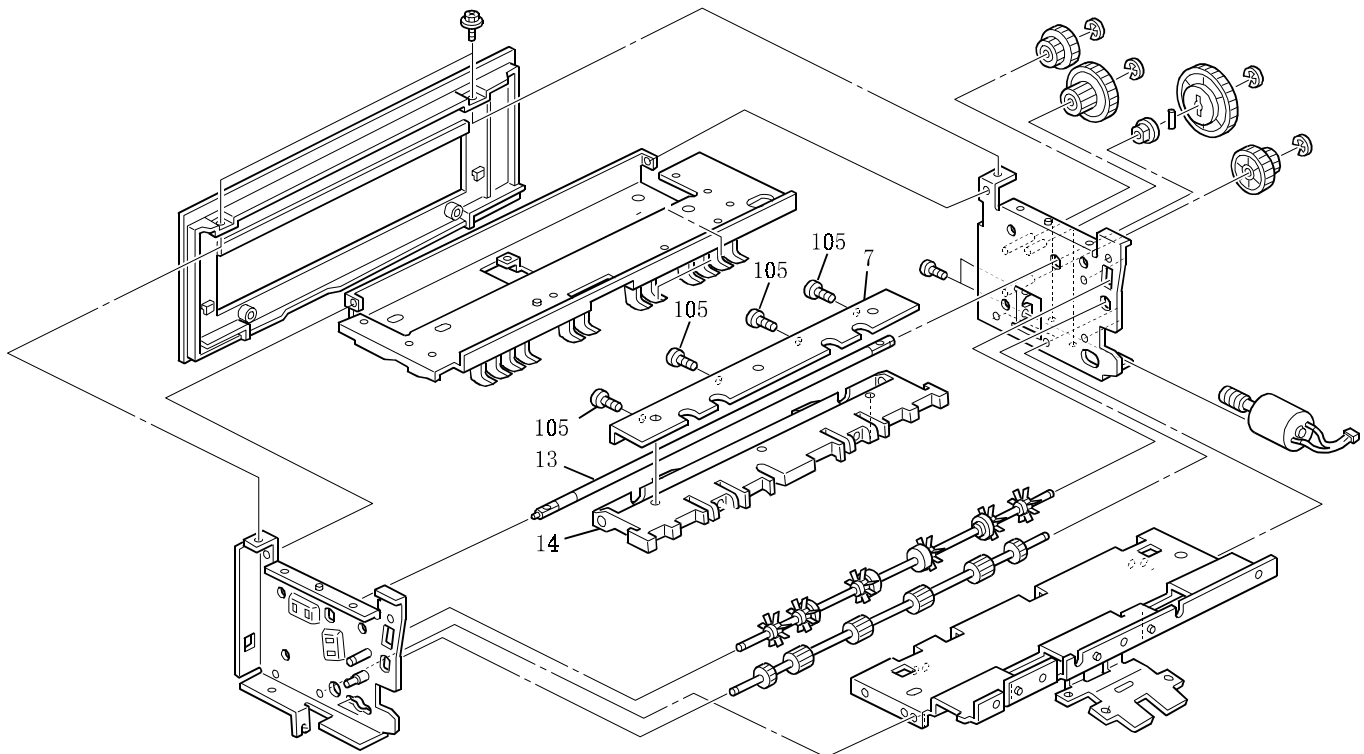
Model Name:

Ricoh JP1210/1230/1250, Gestetner 5308(L/b)/5300, RexRotary 1225(B), nashuatec CP308(b), Savin 3150eDNP, Standard SD330

To prevent the pressure plate screws [index no. 105] from loosening, the number of screws has been changed from 2 to 4.

Old part number	New part number	Description	Q'ty	Int	Page	Index
C2373506	C2373509	Guide plate	1	X/O as a set	41	7
C2373504	C2373508	Pressure plate shaft	1		41	13
C2373501	C2373507	Pressure plate	1		41	14
03530060Z	09504010B	Screw – M4x10	2 → 4		41	105

NOTE: The 4 parts are interchangeable ONLY in sets.



Model: PRIPORT SILVER-V**Date:** 21-Mar-01**No:** M-C237-005**CUT IN SERIAL NUMBERS**

Model Name	Drum	V/Hz	Destination	Code	Serial Number
Standard SD330	Legal	120/60	USA	C237-61	C3940125001
Gestetner 5308b	B4	120/60	Taiwan	C237-63	C3980125001
Ricoh JP1230	Legal	120/60	USA, Canada	C237-67	C3900125001
Ricoh JP1250	B4	230/50	China	C237-70	-
Gestetner 5300	B4	230/50	China	C237-71	-
Ges 5308b, Rex 1225b, Nsa CP308b	B4	230/50	Europe	C237-72	C3951015001
Gestetner 5308b	B4	230/50	Asia, etc.	C237-73	C3960125001
Ricoh JP1210	A4	230/50	Europe	C237-74	C3890125096
Ges 5308, Rex 1225, Nsa CP308	A4	230/50	Europe	C237-75	C3950125111
Ricoh JP1250	B4	230/50	Europe	C237-77	C3910125066
Ricoh JP1250	B4	230/50	Asia, etc.	C237-79	-
Ricoh JP1230	Legal	230/50	Asia	C237-84	C3900125076
Gestetner 5308L	Legal	230/50	Asia, etc.	C237-85	-
Gestetner 5308L, Savin 3150eDNP	Legal	120/60	USA, Canada	C237-91	C3930125001

Model: PRIPORT SILVER-V		Date: 16-Aug-01	No: M-C237-006
Modified Article: Pressure plate gears		Prepared by:	
From: Priport Service Planning Section		H. Onodera	
Classification: <input type="checkbox"/> Parts catalog correction <input type="checkbox"/> Vendor change <input type="checkbox"/> To meet standards <input type="checkbox"/> To facilitate assembly <input checked="" type="checkbox"/> To improve reliability () <input type="checkbox"/> Part standardization <input type="checkbox"/> Other ()			
Model Name: Ricoh JP1210/1230/1250, Gestetner 5308(L/b)/5300, RexRotary 1225(B), nashuatec CP308(b), Savin 3150eDNP, Standard SD330			

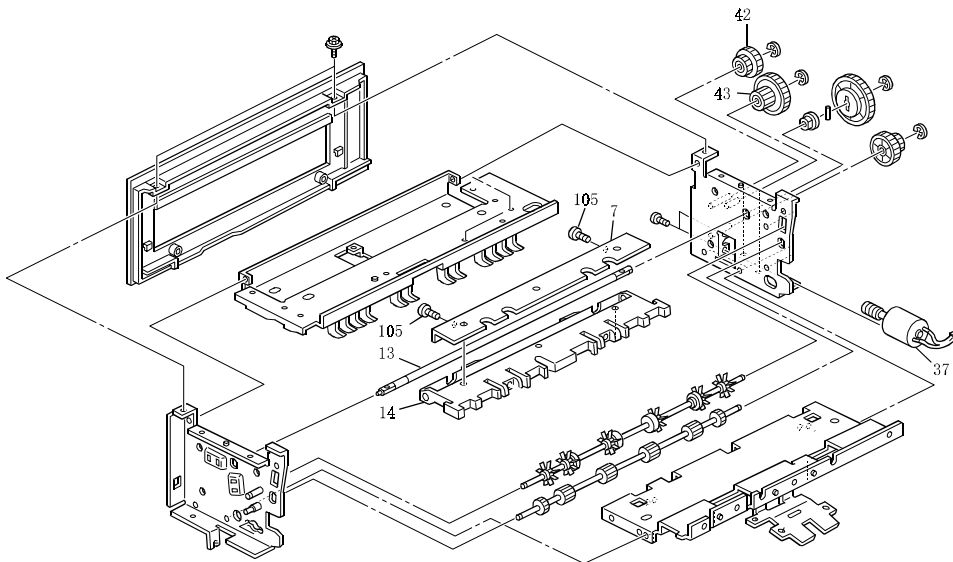
This issue is related to the A4 and LG models only.

NO.	Old part number	New part number	Description	Q'ty	Int	Page	Index	Note
1	C2313518	C2373518	First gear - LG, A4	1	X/X	41	43	Note box
2	C2313519	C2373519	Second gear - LG, A4	1	X/X	41	42	Note box

NOTE

The two gears cannot be used in combination with the suffix "H" main ROM or older versions. If you install the new gears only (without the new firmware), the machine displays "Empty master eject box" shortly after power-up.

Make sure to use the suffix "J" main ROM or newer when you change the old gears to new ones. (See RTB #RC231011.)



Model: PRIPORT SILVER-V

Date: 16-Aug-01

No: M-C237-006

When the suffix "F" main ROM was applied, the traveling time of the master eject pressure plate (the motor's rotation period) was changed from 2.8 s to 1.8 s. (See RTB #RC231010 for details.) However another problem emerged. The master eject box capacity was reduced in the A4 and LG machines.

The suffix "J" main ROM was applied to recover the capacity, in combination with the gears (index numbers 42 and 43).

- NOTE:**
- 1) With the "J" main ROM, the traveling time has been changed from 1.8 s to 2.5 s in the A4 and LG machines. This is to prevent the motor from long term loading better than the "D" ROM or older versions because the time has been reduced from 2.8 s to 2.5 s, and to recover the capacity. The "J" ROM can be used without changing the gears.
 - 2) The new gears are larger than before, so the traveling speed of the pressure plate becomes slower. This also prevents the motor from overloading.
 - 3) The new traveling speed was designed to match the extended motor rotation period (2.5 seconds) with the "J" main ROM. The previous motor rotation period (1.8 seconds) is too short (with the new traveling speed) to activate the pressure plate limit sensor within the expected period.
 - 4) Even if the "J" ROM is used, the traveling time stays at 1.8 s in the B4 machines. The new gears are not used in the B4 machines.

Pressure plate traveling time change history (per main ROM version):

	B, C, D	Suffix F	H	Suffix J
A4 and LG models	2.8 s	2.8 s → 1.8 s	1.8 s	1.8 s → 2.5 s (with gears)
B4 models	2.8 s	2.8 s → 1.8 s	1.8 s	1.8 s → 1.8 s (stay)

Model: PRIPORT SILVER-V**Date:** 16-Aug-01**No:** M-C237-006**CUT IN SERIAL NUMBERS**

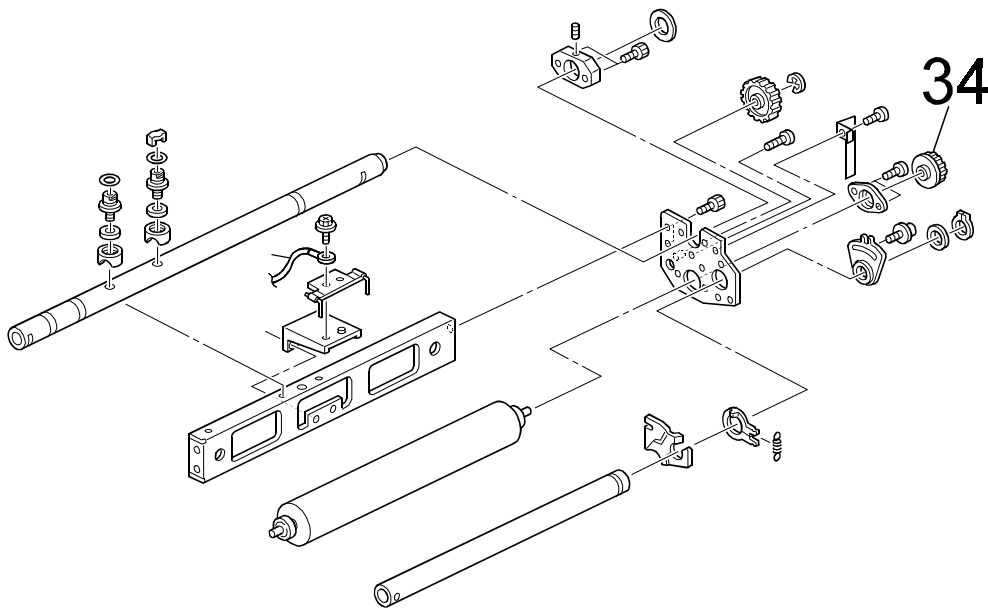
Model Name	Drum	V/Hz	Destination	Code	Serial Number
Standard SD330	Legal	120/60	USA	C237-61	C3941065001
Ricoh JP1230	Legal	120/60	USA, Canada	C237-67	C3901065001
Ricoh JP1210	A4	230/50	Europe	C237-74	C3891065001
Ges 5308, Rex 1225, Nsa CP308	A4	230/50	Europe	C237-75	C3951065051
Ricoh JP1230	Legal	230/50	Asia	C237-84	C3901065001
Gestetner 5308L	Legal	230/50	Asia, etc.	C237-85	C3961065001
Gestetner 5308L, Savin 3150eDNP	Legal	120/60	USA, Canada	C237-91	C3931065001

Model: PRIPORT SILVER-V		Date: 19-Oct-01	No: M-C237-007
Modified Article: Ink roller drive gear		Prepared by:	
From: Priport Service Planning Section		H. Onodera	
Classification: <input type="checkbox"/> Parts catalog correction <input type="checkbox"/> Vendor change <input type="checkbox"/> To meet standards <input type="checkbox"/> To facilitate assembly <input checked="" type="checkbox"/> To improve reliability () <input type="checkbox"/> Part standardization <input type="checkbox"/> Other ()			
Model Name: Ricoh JP1210/1230/1250, Gestetner 5308(L/b)/5300, RexRotary 1225(B), nashuatec CP308(b), Savin 3150eDNP, Standard SD330			

To maximize the durability of the Ink Roller Drive Gear, the material has been changed from plastic to iron.

Old part number	New part number	Description	Q'ty	Int	Page	Index
C2312460	C2372460	Ink Roller Drive Gear	1	X/O	35	34

NOTE: This gear is also available for *Silver*.



Model: PRIPORT SILVER-V**Date:** 19-Oct-01**No:** M-C237-007**CUT IN SERIAL NUMBERS**

Model Name	Drum	V/Hz	Destination	Code	Serial Number
Standard SD330	Legal	120/60	USA	C237-61	C3941095001
Gestetner 5308b	B4	120/60	Taiwan	C237-63	C3981095001
Ricoh JP1230	Legal	120/60	USA, Canada	C237-67	C3901095001
Ricoh JP1250	B4	230/50	China	C237-70	C3631095001
Gestetner 5300	B4	230/50	China	C237-71	C3971095001
Ges 5308b, Rex 1225b, Nsa CP308b	B4	230/50	Europe	C237-72	C3951095001
Gestetner 5308b	B4	230/50	Asia, etc.	C237-73	C3961095001
Ricoh JP1210	A4	230/50	Europe	C237-74	C3891095001
Ges 5308, Rex 1225, Nsa CP308	A4	230/50	Europe	C237-75	C3951095121
Ricoh JP1250	B4	230/50	Europe	C237-77	C3911095001
Ricoh JP1250	B4	230/50	Asia, etc.	C237-79	C3911095012
Ricoh JP1230	Legal	230/50	Asia	C237-84	C3900095001
Gestetner 5308L	Legal	230/50	Asia, etc.	C237-85	C3961095001
Gestetner 5308L, Savin 3150eDNP	Legal	120/60	USA, Canada	C237-91	C3931095001

Reissued: 27-Feb-02

Model: PRIPORT SILVER-V	Date: 12-Feb-02	No: M-C237-008a
--------------------------------	------------------------	------------------------

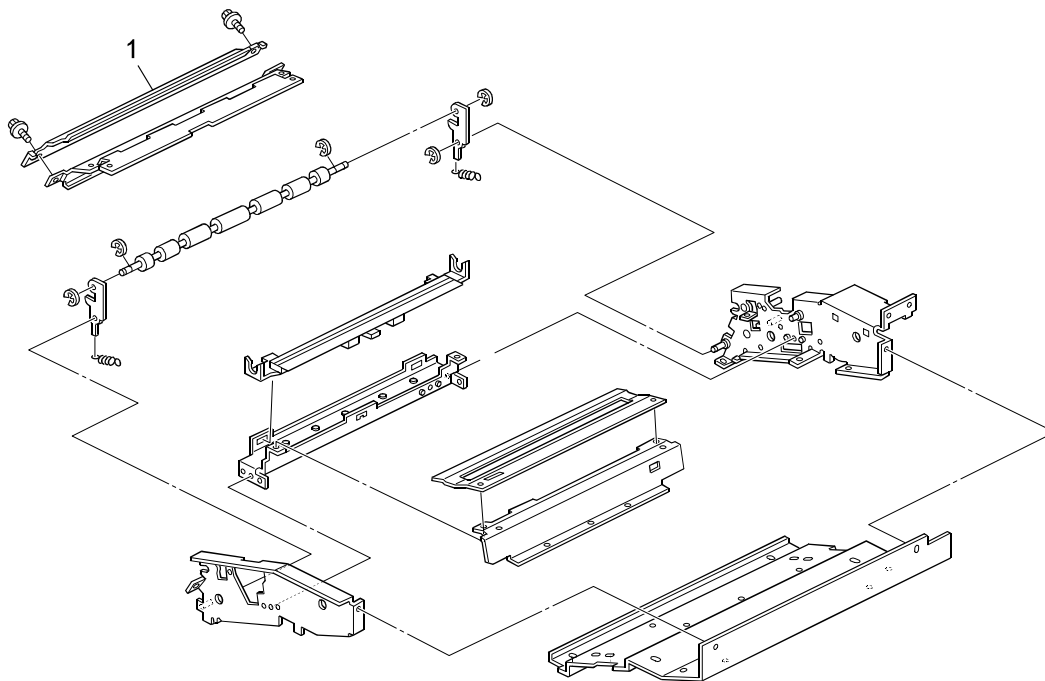
MB Correction

The illustration has added as shown below.

Modified Article: Upper guide plate	Prepared by:
From: Priport Service Planning Section	H. Onodera
Classification: <input type="checkbox"/> Parts catalog correction <input type="checkbox"/> Vendor change <input type="checkbox"/> To meet standards <input type="checkbox"/> To facilitate assembly <input checked="" type="checkbox"/> To improve reliability () <input type="checkbox"/> Part standardization <input type="checkbox"/> Other ()	
Model Name: Ricoh JP1210/1230/1250, Gestetner 5308(L/b)/5300, RexRotary 1225(B), nashuatec CP308(b), Savin 3150eDNP, Standard SD330	

To ensure proper master registration, the shape of the Upper Guide Plate on the Master Making Unit has been modified.

NO.	Old part number	New part number	Description	Q'ty	Int	Page	Index
1	C2312085	C2372085	Upper Guide Plate	1	X/O	27	1



C238A018.WMF

Model: PRIPORT SILVER-V**Date:** 12-Feb-02**No:** M-C237-008**CUT IN SERIAL NUMBERS**

Model Name	Drum	V/Hz	Destination	Code	Serial Number
Standard SD330	Legal	120/60	USA	C237-61	C3941035001
Gestetner 5308b	B4	120/60	Taiwan	C237-63	C3981035001
Ricoh JP1230	Legal	120/60	USA, Canada	C237-67	C3901035001
Ricoh JP1250	B4	230/50	China	C237-70	C3801035001
Gestetner 5300	B4	230/50	China	C237-71	C3971055001
Ges 5308b, Rex 1225b, Nsa CP308b	B4	230/50	Europe	C237-72	C3951035001
Gestetner 5308b	B4	230/50	Asia, etc.	C237-73	C3961045001
Ricoh JP1210	A4	230/50	Europe	C237-74	C3891045001
Ges 5308, Rex 1225, Nsa CP308	A4	230/50	Europe	C237-75	C3951045176
Ricoh JP1250	B4	230/50	Europe	C237-77	C3911045001
Ricoh JP1250	B4	230/50	Asia, etc.	C237-79	C3911045004
Ricoh JP1230	Legal	230/50	Asia	C237-84	C3901125001
Gestetner 5308L	Legal	230/50	Asia, etc.	C237-85	C3961125001
Gestetner 5308L, Savin 3150eDNP	Legal	120/60	USA, Canada	C237-91	C3931035001

Reissued: 27-Feb-02

Model: PRIPORT SILVER-V	Date: 12-Feb-02	No: M-C237-009a
--------------------------------	------------------------	------------------------

MB Correction

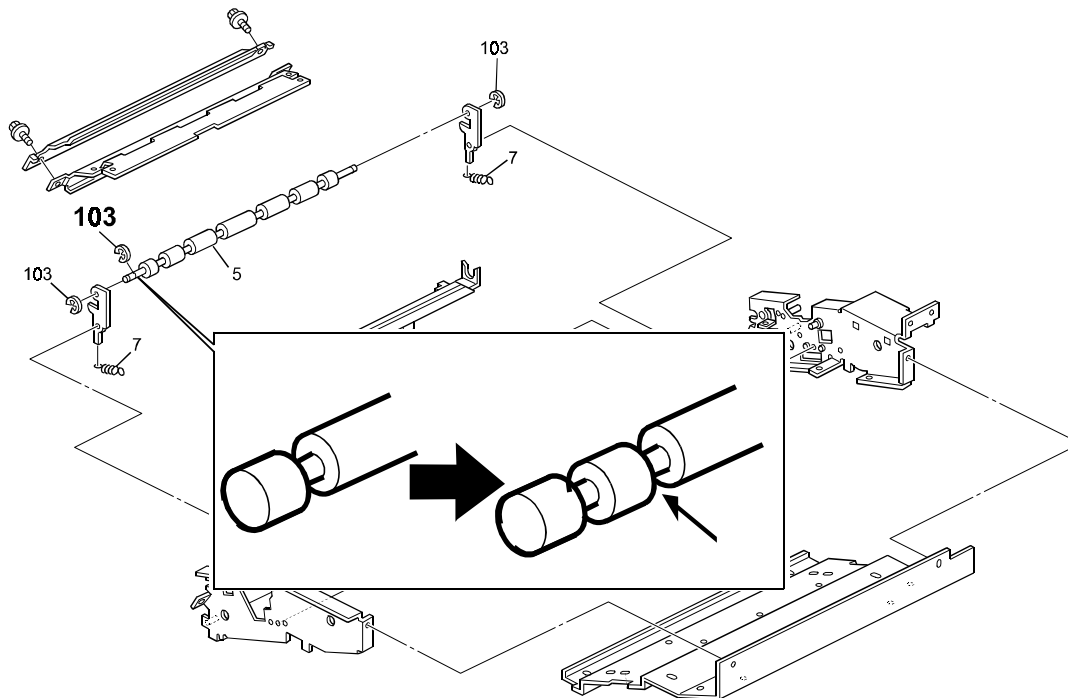
An illustration has been added as shown below.

Modified Article: Brake roller	Prepared by:	
From: Priport Service Planning Section	H. Onodera	
Classification:	<input type="checkbox"/> Parts catalog correction <input type="checkbox"/> Vendor change <input type="checkbox"/> To meet standards <input type="checkbox"/> To facilitate assembly <input checked="" type="checkbox"/> To improve reliability () <input type="checkbox"/> Part standardization <input type="checkbox"/> Other ()	
Model Name:		
Ricoh JP1210/1230/1250, Gestetner 5308(L/b)/5300, RexRotary 1225(B), nashuatec CP308(b), Savin 3150eDNP, Standard SD330		

To minimize the thrust play in the shaft of the Brake Roller, the number of e-rings has been increased from 2 to 3. Also, to ensure proper master feeding, the tension of the Brake Roller Spring has been increased to 1.5 times its original value.

NO.	Old part number	New part number	Description	Q'ty	Int	Page	Index
1	C2372076	C2372077	Brake Roller	1	X/O as a set	27	5
2	(07200025E)	-	Retaining Ring – M2.5	2 → 3		27	103
3	C2312065	C2372065	Brake Roller Spring	2	X/O	27	7

NOTE: The operation side edge of the Brake Roller has an additional groove (as shown below) to facilitate the e-ring newly added.



Model: PRIPORT SILVER-V	Date: 12-Feb-02	No: M-C237-009
--------------------------------	------------------------	-----------------------

CUT IN SERIAL NUMBERS

Model Name	Drum	V/Hz	Destination	Code	Serial Number
Standard SD330	Legal	120/60	USA	C237-61	C3941105001
Gestetner 5308b	B4	120/60	Taiwan	C237-63	C3981095078
Ricoh JP1230	Legal	120/60	USA, Canada	C237-67	C3901105001
Ricoh JP1250	B4	230/50	China	C237-70	C3801125001
Gestetner 5300	B4	230/50	China	C237-71	C3971095001
Ges 5308b, Rex 1225b, Nsa CP308b	B4	230/50	Europe	C237-72	C3951105001
Gestetner 5308b	B4	230/50	Asia, etc.	C237-73	C3961115001
Ricoh JP1210	A4	230/50	Europe	C237-74	C3891105001
Ges 5308, Rex 1225, Nsa CP308	A4	230/50	Europe	C237-75	C3951105141
Ricoh JP1250	B4	230/50	Europe	C237-77	C3911105001
Ricoh JP1250	B4	230/50	Asia, etc.	C237-79	C3911115012
Ricoh JP1230	Legal	230/50	Asia	C237-84	C3901125001
Gestetner 5308L	Legal	230/50	Asia, etc.	C237-85	C3961125001
Gestetner 5308L, Savin 3150eDNP	Legal	120/60	USA, Canada	C237-91	C3931105001
		230/50	CIS Russia	C237-98	C3991105001

Reissued: 27-Feb-02

Model: PRIPORT SILVER-V	Date: 12-Feb-02	No: M-C237-010a
--------------------------------	------------------------	------------------------

MB Correction

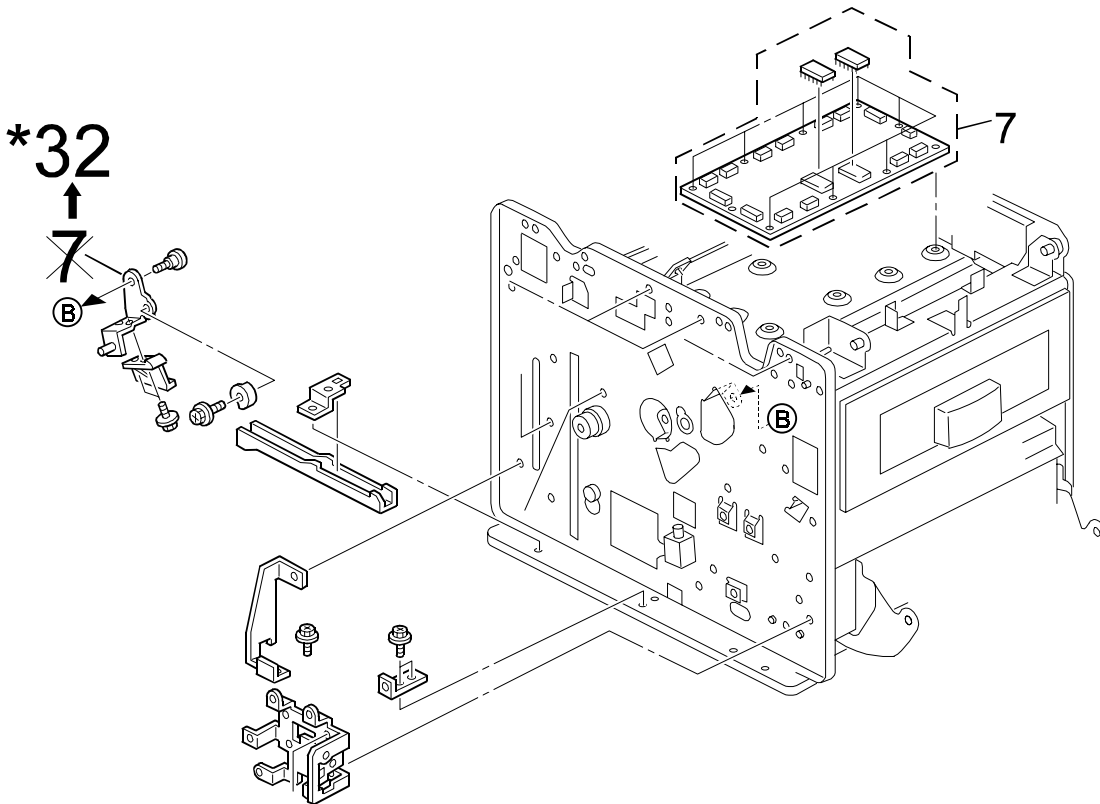
An illustration has been added as shown below.

Modified Article: Parts catalog correction	Prepared by:
From: Priport Service Planning Section	H. Onodera
Classification: <input checked="" type="checkbox"/> Parts catalog correction <input type="checkbox"/> Vendor change <input type="checkbox"/> To meet standards <input type="checkbox"/> To facilitate assembly <input type="checkbox"/> To improve reliability () <input type="checkbox"/> Part standardization <input type="checkbox"/> Other ()	
Model Name: Ricoh JP1210/1230/1250, Gestetner 5308(L/b)/5300, RexRotary 1225(B), nashuatec CP308(b), Savin 3150eDNP, Standard SD330	

Please correct your Parts Catalogs as follows.

Incorrect index number	New index number	Part number	Description	Page
7	*32	C2374061	Master Eject Clamp Lever	45

NOTE: As shown below, the index number for the MPU has not changed.



Model: PRIPORT SILVER-V**Date:** 12-Feb-02**No:** M-C237-010**CUT IN SERIAL NUMBERS**

Model Name	Drum	V/Hz	Destination	Code	Serial Number
Standard SD330	Legal	120/60	USA	C237-61	-
Gestetner 5308b	B4	120/60	Taiwan	C237-63	-
Ricoh JP1230	Legal	120/60	USA, Canada	C237-67	-
Ricoh JP1250	B4	230/50	China	C237-70	-
Gestetner 5300	B4	230/50	China	C237-71	-
Ges 5308b, Rex 1225b, Nsa CP308b	B4	230/50	Europe	C237-72	-
Gestetner 5308b	B4	230/50	Asia, etc.	C237-73	-
Ricoh JP1210	A4	230/50	Europe	C237-74	-
Ges 5308, Rex 1225, Nsa CP308	A4	230/50	Europe	C237-75	-
Ricoh JP1250	B4	230/50	Europe	C237-77	-
Ricoh JP1250	B4	230/50	Asia, etc.	C237-79	-
Ricoh JP1230	Legal	230/50	Asia	C237-84	-
Gestetner 5308L	Legal	230/50	Asia, etc.	C237-85	-
Gestetner 5308L, Savin 3150eDNP	Legal	120/60	USA, Canada	C237-91	-

Model: PRIPORT SILVER-V		Date: 24-May-02	No: M-C237-011
Modified Article: Side fences		Prepared by:	
From: Priport Service Planning Section		H. Onodera	
Classification: <input type="checkbox"/> Parts catalog correction <input type="checkbox"/> Vendor change <input type="checkbox"/> To meet standards <input type="checkbox"/> To facilitate assembly <input checked="" type="checkbox"/> To improve reliability () <input type="checkbox"/> Part standardization <input type="checkbox"/> Other ()			
Model Name: Ricoh JP1210/1230/1250, Gestetner 5308(L/b)/5300, RexRotary 1225(B), nashuatec CP308(b), Savin 3150eDNP, Standard SD330			

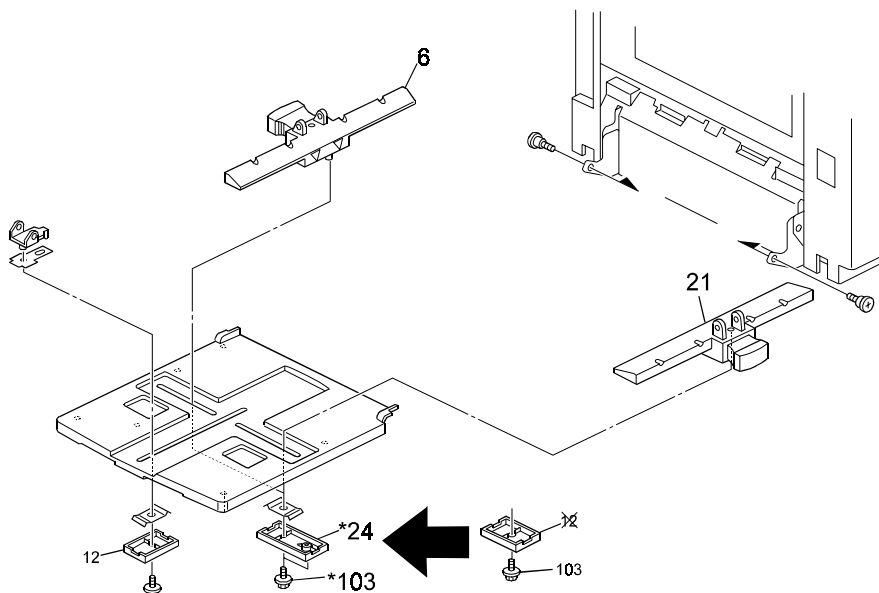
To minimize the side-to-side play in the side fences (lower guides), the number of tapping screws has been increased from 2 to 4. In accordance with this, the following changes have been made:

Old part number	New part number	Description	Q'ty	Int	Page	Index
C2334392	C2334396	Rear lower guide	1	X/O as a set	39	6
C2314421	-	Slider cover	3 → 1		39	12
-	C2334456	Slider cover - paper exit	2		39	*24
C2334391	C2334395	Front lower guide	1		39	21
04503012B	-	Tapping screw - 3x12	2 → 4		39	103

China only:

Old part number	New part number	Description	Q'ty	Int	Page	Index
C2334394	C2334397	Rear lower guide - CHN	1	X/O as a set for China models	39	6
C2314421	-	Slider cover	3 → 1		39	12
-	C2334456	Slider cover - paper exit	2		39	*24
C2334393	C2334398	Front lower guide - CHN	1		39	21

*: New index



Model: PRIPORT SILVER-V	Date: 24-May-02	No: M-C237-
--------------------------------	------------------------	--------------------

CUT IN SERIAL NUMBERS

Model Name	Drum	V/Hz	Destination	Code	Serial Number
Standard SD330	Legal	120/60	USA	C237-61	C3941075001
Gestetner 5308b	B4	120/60	Taiwan	C237-63	C3981075001
Ricoh JP1230	Legal	120/60	USA, Canada	C237-67	C3901085001
Ricoh JP1250	B4	230/50	China	C237-70	C3921075001
Gestetner 5300	B4	230/50	China	C237-71	C3971075141
Ges 5308b, Rex 1225b, Nsa CP308b	B4	230/50	Europe	C237-72	C3951085001
Gestetner 5308b	B4	230/50	Asia, etc.	C237-73	C3961115001
Ricoh JP1210	A4	230/50	Europe	C237-74	C3891085001
Ges 5308, Rex 1225, Nsa CP308	A4	230/50	Europe	C237-75	C3951075060
Ricoh JP1250	B4	230/50	Europe	C237-77	C3911085001
Ricoh JP1250	B4	230/50	Asia, etc.	C237-79	C3911075034
Ricoh JP1230	Legal	230/50	Asia	C237-84	C363 1125001
Gestetner 5308L	Legal	230/50	Asia, etc.	C237-85	AT9 1125001
Gestetner 5308L, Savin 3150eDNP	Legal	120/60	USA, Canada	C237-91	C3931075001

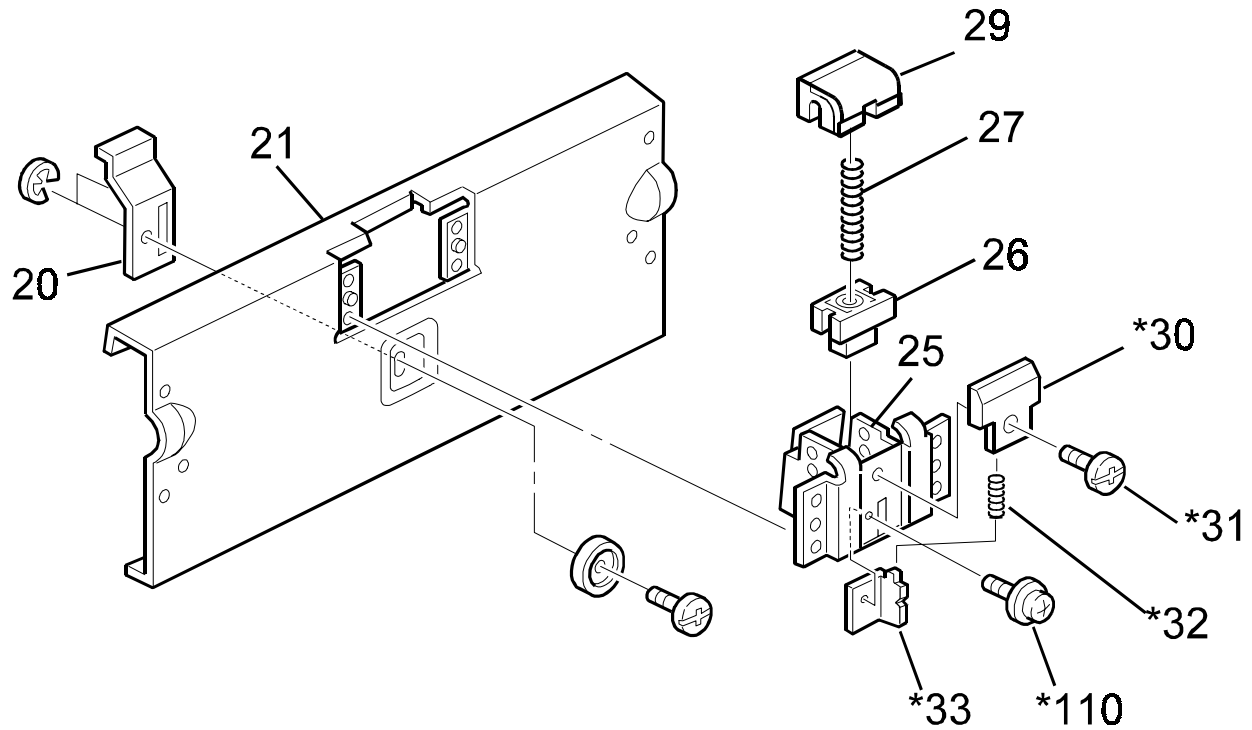
Model: PRIPORT SILVER-V	Date: 5-Sep-02	No: M-C237-012
Modified Article: Paper feeding system	Prepared by:	
From: Priport Service Planning Section	H. Onodera	
Classification:	<input type="checkbox"/> Parts catalog correction <input type="checkbox"/> Vendor change <input type="checkbox"/> To meet standards <input type="checkbox"/> To facilitate assembly <input checked="" type="checkbox"/> To improve reliability () <input type="checkbox"/> Part standardization <input type="checkbox"/> Other ()	
Model Name:		
Ricoh JP1210/1230/1250, Gestetner 5308(L/b)/5300, RexRotary 1225(B), nashuatec CP308(b), Savin 3150eDNP, Standard SD330		

The performance of the paper feed system for the China model (Ricoh JP1250, Gestetner 5300) has been improved, especially with very thin, poor-quality paper types. These modifications were made to ensure that non-feed jams do not occur with these paper types, which are common in the field in China.

Please be sure to see the important notes below on all modifications made.

Note: All new parts are interchangeable ONLY in sets.

8. PAPER FEED SECTION (C237)



C238A042.WMF

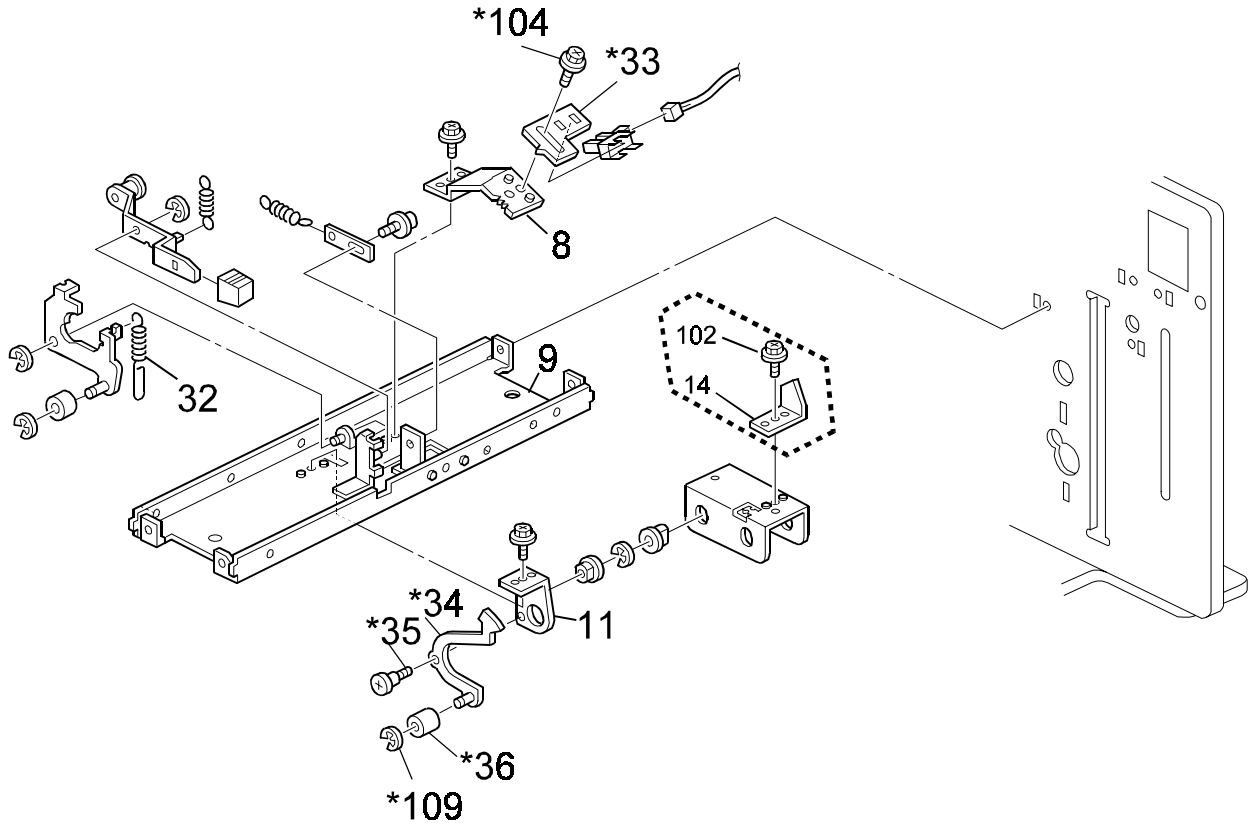
Old part number	New part number	Description	Q'ty	Int	Page	Index	Note
C2312896	C2372896	Separation adjuster	1	X/O as a set	21	20	Note 1
C2312817	C2372817	Front paper feed stay	1		21	21	
C2312897	C2372897	Separation spring holder	1		21	26	
C2312898	C2372813	Separation spring	1		21	27	
C2312811	C2372811	Separation bracket	1	X/O as a set	21	25	Note 2
C2312861	C2372804	Friction pad ass'y	1		21	29	
-	C2372806	Friction pad guide	1		21	*30	
-	56073927	Stepped screw M3x8	1		21	*31	
-	C2372814	Guide spring	1		21	*32	
-	C2372798	Adjusting plate	1		21	*33	
-	09513006Z	Philips screw - M3	1		21	*110	

Model: PRIPORT SILVER-V

Date: 5-Sep-02

No: M-C237-012

9. PAPER REGISTRATION (C237)



C238A053.WMF

Old part number	New part number	Description	Q'ty	Int	Page	Index	Note
C2312852	C2372852	Spring	1	X/O	23	32	Note 3
C2312908	C2372787	Sensor bracket	1	X/O as a set	23	8	Note 4
C2312907B	-C	Paper feed stay	1		23	9	
C2312865	C2372865	Arm retainer	1		23	11	
C2372820	-	-	0		23	14	
-	C2372788	Sensor holder	1		23	*33	
-	C2372784	Sensor actuator	1		23	*34	
-	AA143402	Screw - scale	1		23	*35	
-	C2372783	Paper sensor holder	1		23	*36	
-	09513006E	Screw - M3x6	1		23	*104	
-	07200030E	Retaining ring - M3	1		23	*109	

Model: PRIPORT SILVER-V

Date: 5-Sep-02

No: M-C237-012

20. ELECTRICAL SECTION 1 (C237)

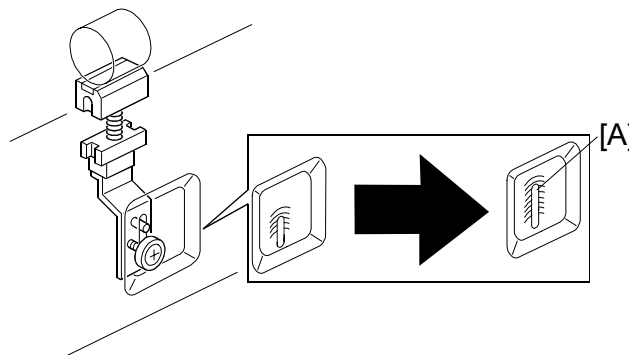
Old part number	New part number	Description	Q'ty	Int	Page	Index	Note
C2375100	C2375160	MPU - CHN	1	X/O	45	7	Note 5
C2375105	C2375165	Main ROM - 1M x 8 150NS - CHN	1	X/O as a set	45	9	
C2375107	C2375167	Feed ROM - 512K x 8 150NS - CHN	1		45	31	

DETAILS

8. Paper Feed Section

Note 1: Separation Pressure

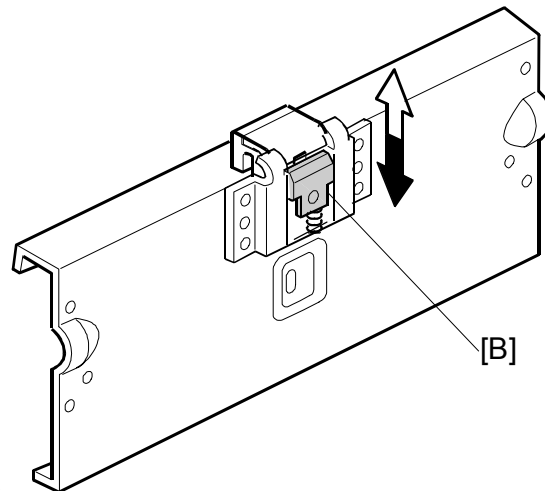
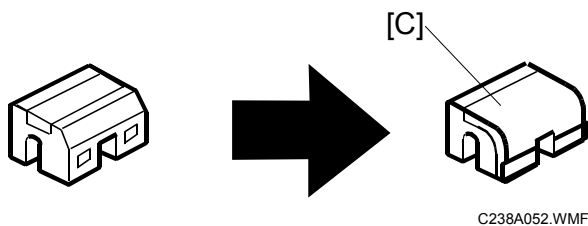
The separation pressure setting range [A] has been expanded by 3 notches (increased from 5 to 8), which allows lower separation pressures for feeding thin paper types.



C238A050.WMF

Note 2: Friction Pad Guide

A Friction Pad Guide [B] has been added, which prevents multi-feeds by allowing only a few sheets to reach the Separation Pad. To facilitate the new guide, the shape of the Separation Pad [C] has been changed as shown below.



Limitation: Please advise customers not to use copy paper of 157 g/m² and over, or any envelopes.

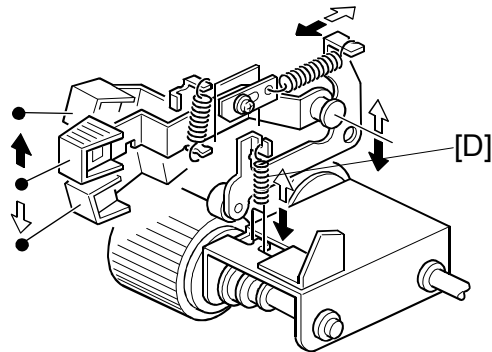
C238A051.WMF

9. Paper Registration

Note 3: Paper Feed Pressure

The pressure of the spring [D] has been decreased for feeding thin paper types. As a result, the feed pressure for the lever's thin paper setting has been decreased (lowermost position).

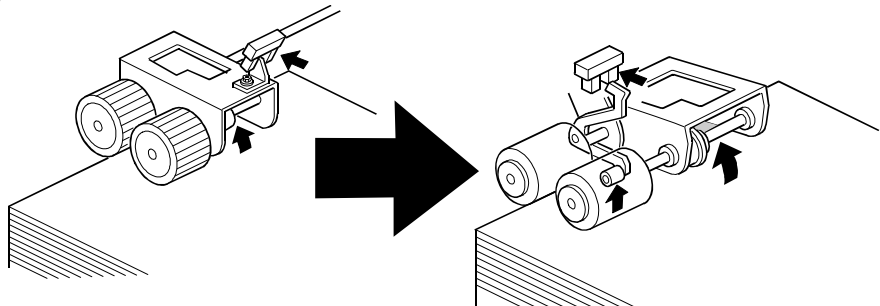
Note: The feed pressures for the thick and standard settings remain unchanged.



C237D574.WMF

Note 4: Paper Height Sensor

Minor changes have been made in the components shown so that the paper contacts the bracket directly, allowing the stack height to be detected with greater accuracy.



C238A049.WMF

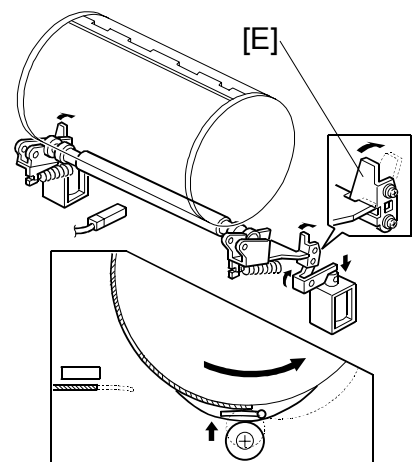
20. Electrical Section 1

Note 5: Re-feeding System

A "Re-feeding" system has been added so that when the registration sensor detects a non-feed, the machine will try feeding the paper again. However if a non-feed occurs a second time, the jam indicator will light.

Limitations:

- 1) The paper registration may sometimes be out of alignment after the re-feed, as the paper is re-fed from the position in which it stopped.
- 2) The Printing Levers [E] may lock when re-feeding while the engine is operating at 130rpm, resulting in an EM call.



C231D546.WMF

Model: PRIPORT SILVER-V**Date:** 5-Sep-02**No:** M-C237-012**CUT IN SERIAL NUMBERS**

Model Name	Drum	V/Hz	Destination	Code	Serial Number
Ricoh JP1250	B4	230/50	China	C237-70	C3921075001
Gestetner 5300	B4	230/50	China	C237-71	C3971075001

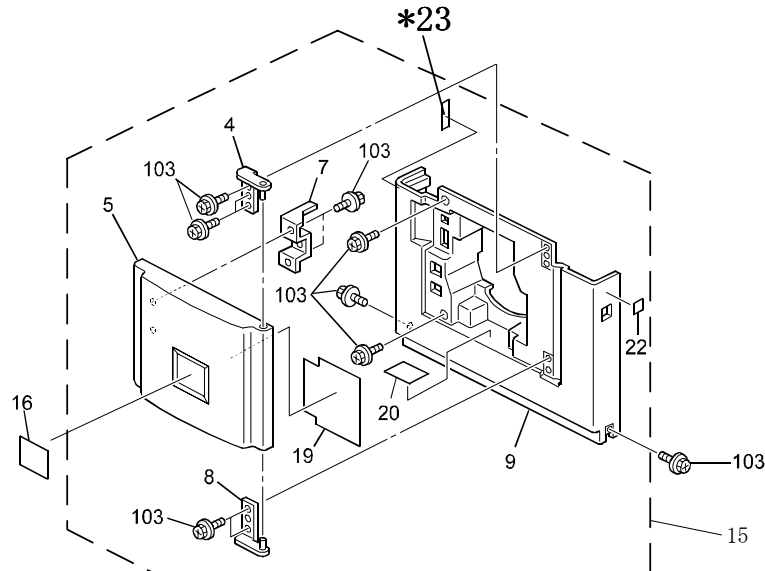
Model: PRIPORT SILVER-V/SILVER-V2	Date: 26-Dec-02	No: M-C237-013
Modified Article: New model Silver-V2 information	Prepared by:	
From: Priport Service Planning Section	A. Yoshida	
Classification:	<input type="checkbox"/> Parts catalog correction <input type="checkbox"/> Vendor change <input type="checkbox"/> To meet standards <input type="checkbox"/> To facilitate assembly <input type="checkbox"/> To improve reliability () <input type="checkbox"/> Part standardization <input checked="" type="checkbox"/> Other (New machine information)	
Model Name:		
SILVER-V: Ricoh JP1210/1230/1250, Gestetner 5308(L/b)/5300, RexRotary 1225(B), nashuatec CP308(b), Savin 3150eDNP, Standard SD330		
SILVER-V2: Ricoh JP1250/1215/1235/1255, Gestetner 5300/5308(+b+)/5309L, RexRotary 1225(+/B+), nashuatec CP308(+b+), Savin 3160DNP, Standard SD350, Lanier LDD020		

The Silver-V2 will be released in 2003 as the successor to the Silver-V (see the Silver-V2 PPLI for details on the mass-production schedule). A new model code will be assigned to the Silver-V2 (C248), as there are some parts that are not interchangeable with the Silver-V (C237).

This bulletin details all information unique to the Silver-V2 for servicing in the field. Please add the following to your Silver-V Parts Catalog, and refer to RTB #RC231013 for revisions made to the Service Manual due to minor changes applied to the Silver-V2.

- NOTE:**
- 1) Index numbers marked with * are new index numbers.
 - 2) Index numbers marked with ** are unique to the C248 model.
 - 3) Index numbers marked with *** are unique to the C248 model and the color of the parts has changed.
 - 4) Index numbers marked with **** are also used in the C237 model.

1. EXTERIOR1 (C248)



Sec	Page	Index	Parts No.	Description	Q'ty	MB No.
1	7	***1	C2481254	Operation Panel Lower Cover	1	-
1	7	***2	C2481303	Decal - Scanner Open	1	-
1	7	***3	C2481340	Left Scanner Cover	1	-
1	7	**5	C2481290	Front Door Ass'y	1	-
1	7	***9	C2481255	Front Cover	1	-
1	7	***10	C2481350	Connector Cap	1	-
1	7	***11	C2481258	Rear Upper Cover Ass'y	1	-
1	7	***12	C2481360	Rear Cover	1	-
1	7	***13	C2481202	Right Cover Ass'y	1	-
1	7	**15	C2481250	Font Cover Ass'y NA	1	-
1	7	**15	C2481283	Font Cover Ass'y EU	1	-
1	7	**15	C2481270	Font Cover Ass'y CHN	1	-
1	7	**16	C2481321	Decal - Emblem 5308b+	1	-
1	7	**16	C2481322	Decal - Emblem 1225B+	1	-
1	7	**16	C2481323	Decal - Emblem CP308b+	1	-
1	7	**16	C2481324	Decal - Emblem 5308+	1	-
1	7	**16	C2481325	Decal - Emblem 1225+	1	-
1	7	**16	C2481326	Decal - Emblem CP308+	1	-

Model: PRIPORT SILVER-V/SILVER-V2

Date: 26-Dec-02

No: M-C237-013

Sec	Page	Index	Parts No.	Description	Q'ty	MB No.
1	7	**16	C2481327	Decal – Emblem JP1250	1	-
1	7	**16	C2481341	Decal – Emblem JP1215	1	-
1	7	**16	C2481342	Decal – Emblem 5300	1	-
1	7	**16	C2481343	Decal – Emblem JP1255	1	-
1	7	**16	C2481344	Decal – Emblem SD350	1	-
1	7	***20	C2481302	Decal – Paper Exit Pawl	1	-
1	7	***21	C2481363	Control Cap	1	-
1	7	***22	C2391354	Decal – Paper Feed	1	-
1	7	*23	C2481314	Decal – Main Switch CHN	1	-

2. EXTERIOR2 (C248)

Sec	Page	Index	Parts No.	Description	Q'ty	MB No.
2	9	***1	C2481451	Operation Panel Ass'y NA	1	-
2	9	***1	C2481452	Operation Panel Ass'y EU	1	-
2	9	***1	C2481454	Operation Panel Ass'y CHN	1	-
2	9	***1	C2481455	Operation Panel Ass'y AA	1	-
2	9	***2	C2481490	Behind Cover	1	-
2	9	***3	C2481501	Key Sheet – Behind CHN	1	-
2	9	***3	C2481491	Key Sheet – Behind NA	1	-
2	9	***3	C2481496	Key Sheet – Behind EU	1	-
2	9	***5	C2481492	Key Sheet – Center NA	1	-
2	9	***5	C2481497	Key Sheet – Center EU	1	-
2	9	***5	C2481502	Key Sheet – Center CHN	1	-
2	9	***6	C2481493	Continuance Shield NA	1	-
2	9	***6	C2481498	Continuance Shield EU	1	-
2	9	***6	C2481503	Continuance Shield CHN	1	-
2	9	***7	C2481494	Key Sheet – Start NA	1	-
2	9	***7	C2481499	Key Sheet – Start EU	1	-
2	9	***7	C2481504	Key Sheet – Start CHN	1	-
2	9	***7	C2481495	Key Sheet – Stop NA	1	-
2	9	***7	C2481500	Key Sheet – Stop EU	1	-
2	9	***7	C2481505	Key Sheet – Stop CHN	1	-
2	9	***11	C2481675	Platen Cover Ass'y	1	-
2	9	***12	C2481701	Original Scale	1	-

Model: PRIPORT SILVER-V/SILVER-V2

Date: 26-Dec-02

No: M-C237-013

Sec	Page	Index	Parts No.	Description	Q'ty	MB No.
2	9	***13	C2481705	Scale – Side	1	-
2	9	***14	C2481731	Connector Cover	1	-
2	9	***15	C2481710	Upper Cover	1	-
2	9	***17	C2481730	ADF Cover	1	-
2	9	***18	C2481721	Decal – Front Original Set	1	-
2	9	***19	C2481723	Original Tray Sheet	1	-
2	9	***20	C2486104	Original Cap Guide	1	-
2	9	***21	C2486110	Decal – Original Level	1	-
2	9	***22	C2486103	Rear Original Guide	1	-
2	9	***23	C2486102	Front Original Guide	1	-
2	9	***25	C2486101	Original Table	1	-
2	9	***26	C2486111	Decal – Original Table	1	-
2	9	***27	C2486060	Pressure Plate Stopper	1	-
2	9	***28	C2481722	Decal – Rear Original Set	1	-

3. ADF UNIT 1 (C248)

Sec	Page	Index	Parts No.	Description	Q'ty	MB No.
3	11	***1	C2486171	Guide Cover	1	-
3	11	***9	C2486030	Front Cover	1	-
3	11	****14	H3071314	Spring Clutch – M6	1	-
3	11	****20	H5211256	ADF Feed Roller	1	-
3	11	***21	C2486176	Pickup Bracket	1	-
3	11	***22	C2486031	Rear Cover	1	-
3	11	****23	H5211255	ADF Pickup Roller	1	-
3	11	***28	C2486033	Lower Rear Cover	1	-
3	11	***35	C2486180	Base Ass'y	1	-
3	11	***38	C2486032	Lower Front Cover	1	-
3	11	***41	C2486170	ADF Feeder Unit	1	-

Model: PRIPORT SILVER-V/SILVER-V2**Date:** 26-Dec-02**No:** M-C237-013**4. ADF UNIT 2 (C248)**

Sec	Page	Index	Parts No.	Description	Q'ty	MB No.
4	13	***6	C2486173	Lock Lever	2	-
4	13	****11	H3061329	Joint Shaft	1	-
4	13	***21	C2486172	Separation Guide	1	-
4	13	****41	H5211376	Pressure Spring	2	-
4	13	****44	H5211375	Pressure Shaft Holder	2	-
4	13	***47	C2486174	Release Lever	1	-
4	13	****48	H5211313	Spring	1	-

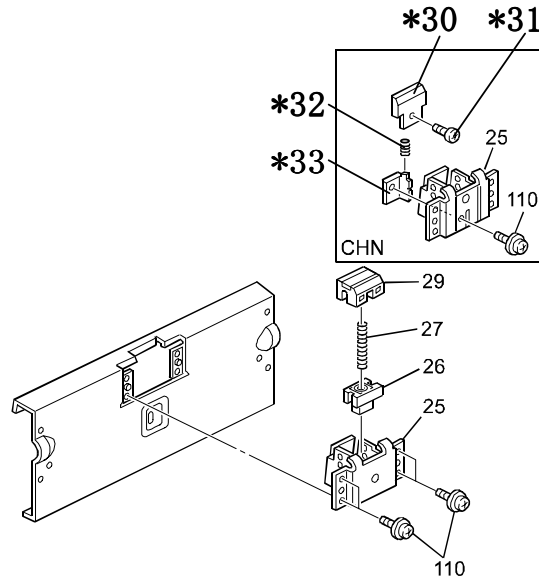
6. SCANNER SECTION 2 (C248)

Sec	Page	Index	Parts No.	Description	Q'ty	MB No.
6	17	****33	H5215001	Lamp Stabilizer	1	MC237004

7. PAPER TABLE SECTION (C248)

Sec	Page	Index	Parts No.	Description	Q'ty	MB No.
7	19	***18	C2482979	Side Fence CHN	1	-
7	19	***18	C2482980	Side Fence	1	-
7	19	***21	C2482700	Paper Feed Tray Ass'y	1	-
7	19	***21	C2482710	Paper Feed Tray Ass'y CHN	1	-
7	19	***22	C2482995	Decal – Side Fence	1	-
7	19	***25	C2382964	Tray adjuster	1	-
7	19	***26	C2382973	Lock Knob	1	-
7	19	***37	C2482947	Base Ass'y	1	-
7	19	***40	C2482997	Decal – Paper Level	1	-
7	19	***42	C2482996	Decal – Paper Set	1	-

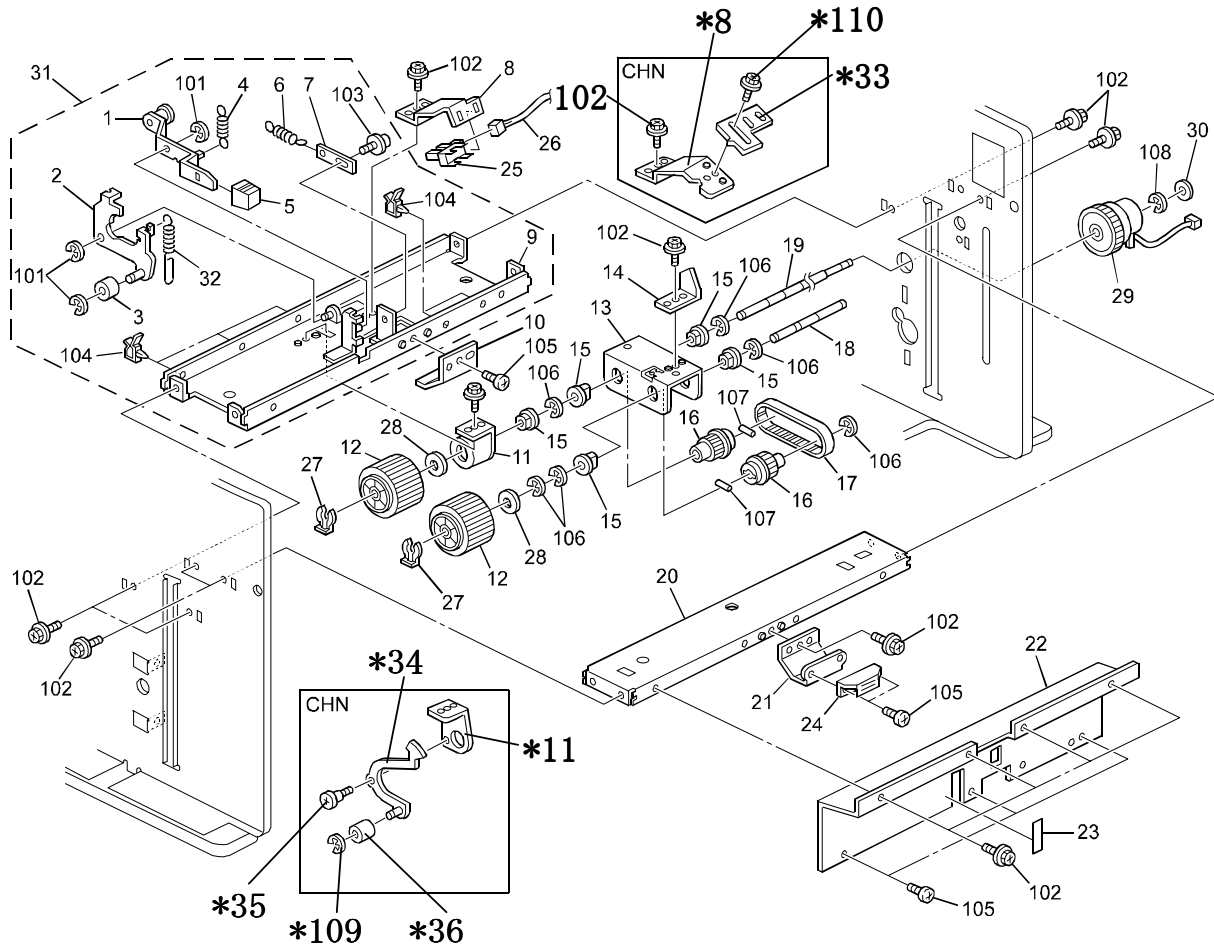
8. PAPER FEED SECTION (C248)



Sec	Page	Index	Parts No.	Description	Q'ty	MB No.
8	21	****20	C2312896	Separation Adjuster	1	-
8	21	****20	C2372896	Separation Adjuster CHN	1	MC237012
8	21	****21	C2372817	Front Paper Feed Tray	1	MC237012
8	21	****23	C2482893	Screw Holder	1	-
8	21	****25	C2312811	Separation Bracket	1	-
8	21	****25	C2372811	Separation Bracket CHN	1	MC237012
8	21	****26	C2312897	Separation Spring Holder	1	-
8	21	****26	C2372897	Separation Spring Holder CHN	1	MC237012
8	21	****27	C2372898	Separation Spring	1	-
8	21	****27	C2372813	Separation Spring CHN	1	MC237012
8	21	****29	C2312861	Friction Pad Ass'y	1	-
8	21	****29	C2372804	Friction Pad Ass'y CHN	1	MC237012
8	21	*30	C2372806	Friction Pad Guide	1	MC237012
8	21	*31	56073927	Stepped Screw – M3x8 CHN	1	MC237012
8	21	*32	C2372814	Separation Spring CHN	1	MC237012
8	21	*33	C2372798	Adjusting Plate CHN	1	MC237012

NOTE: Index numbers *30, *31, *32, and *33 are also used in the C237 model.

9. PAPER REGISTRATION (C248)



Sec	Page	Index	Parts No.	Description	Q'ty	MB No.
9	23	****1	C2372916	Paper Feed Lever	1	-
9	23	***5	C2482932	Lever Knob	1	-
9	23	*8	C2372787	Sensor Bracket CHN	1	MC237012
9	23	*11	C2372865	Arm Retainer CHN	1	MC237012
9	23	***23	C2482937	Decal – Paper Feed Pressure	1	-
9	23	***23	C2482939	Decal – Paper Feed Pressure CHN	1	-
9	23	****24	C2372150	Magnet Catch Ass'y	1	-
9	23	***31	C2482902	Paper Feed Stay Ass'y	1	-
9	23	****32	C2312852	Spring	1	-
9	23	****32	C2372852	Spring CHN	1	MC237012

Model: PRIPORT SILVER-V/SILVER-V2

Date: 26-Dec-02

No: M-C237-013

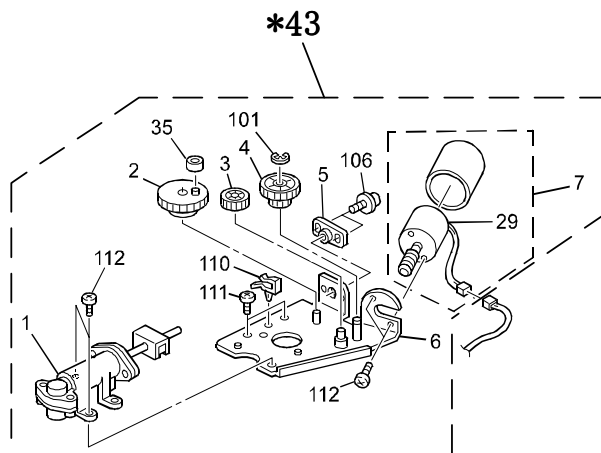
Sec	Page	Index	Parts No.	Description	Q'ty	MB No.
9	23	*33	C2372788	Sensor Holder CHN	1	MC237012
9	23	*34	C2372784	Sensor Actuator	1	MC237012
9	23	*35	AA143402	Screw – SCALE CHN	1	MC237012
9	23	*36	C2372783	Paper Sensor Roller CHN	1	MC237012
9	23	*109	07200030E	Retaining ring – M3	1	MC237012
9	23	*110	09513006E	Screw – M3X6	1	MC237012

NOTE: Index numbers *8, *11, *33, *34, *35, *36, *109, and *110 are also used in the C237 model.

11. PLOTTER UNIT 2 (C248)

Sec	Page	Index	Parts No.	Description	Q'ty	MB No.
11	27	****1	C2372085	Upper Guide Plate	1	MC237008
11	27	****5	C2372077	Brake Roller	1	MC237009
11	27	****7	C2372065	Brake Roller Spring	2	MC237009
11	27	***9	C2482055	Master Edge Position Bracket	1	-

15. DRUM UNIT 3 (C248)



Sec	Page	Index	Parts No.	Description	Q'ty	MB No.
15	35	****34	C2372460	Ink Drive Gear	1	MC237007
15	35	*43	C2372497	Pump Unit	1	MC237002

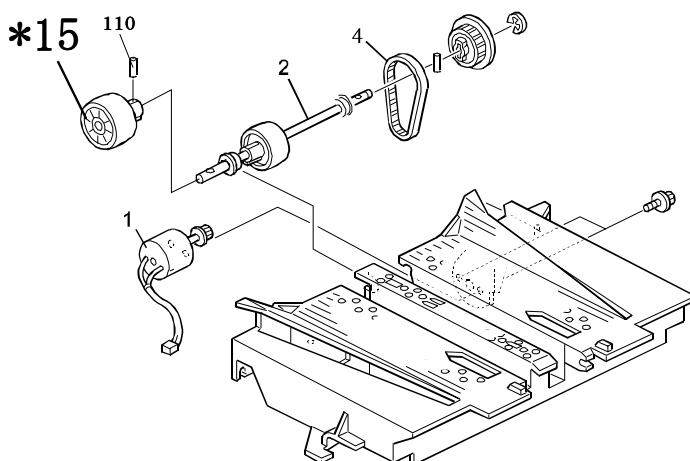
NOTE: Index number *43 is also used in the C237 model.

Model: PRIPORT SILVER-V/SILVER-V2

Date: 26-Dec-02

No: M-C237-013

16. VACUUM FAN UNIT (C248)



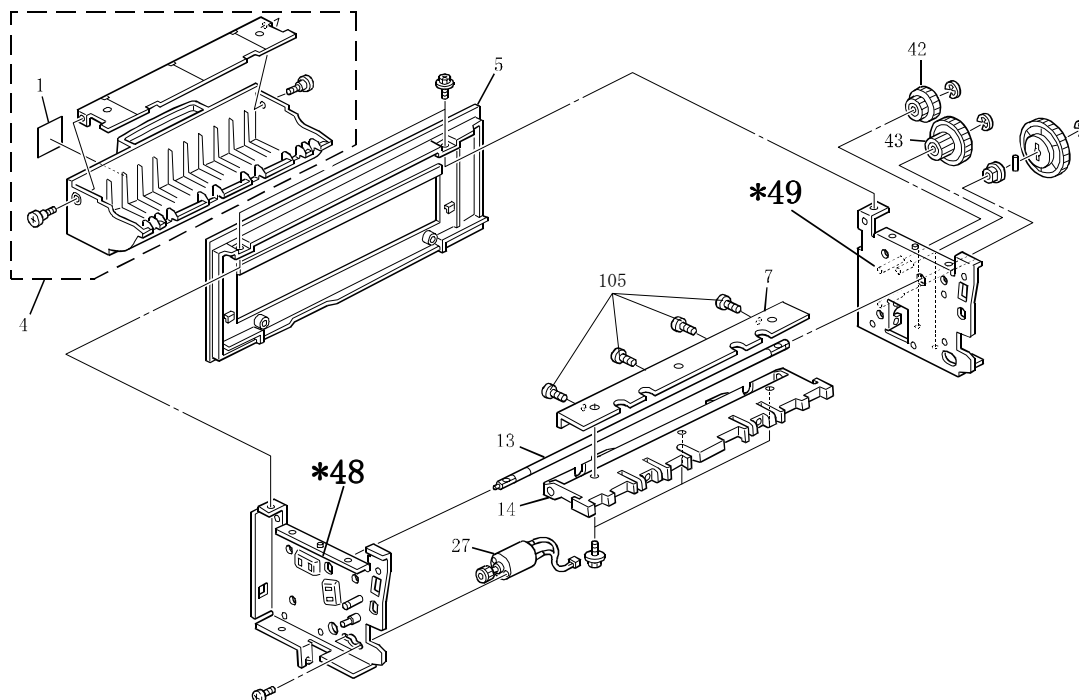
Sec	Page	Index	Parts No.	Description	Q'ty	MB No.
16	37	****4	C2313879	Timing Belt	1	-
16	37	*15	C2313871	Drive Roller	1	MC231012

NOTE: Index number *15 is also used in the C237 model.

17. DELIVERY TABLE (C248)

Sec	Page	Index	Parts No.	Description	Q'ty	MB No.
17	39	***-	C2484201	Paper Delivery Table Ass'y	1	-
17	39	***-	C2484204	Paper Delivery Table Ass'y CHN	1	-
17	39	***1	C2484416	End Plate Case	1	-
17	39	***2	C2484406	End Plate Fence	1	-
17	39	***3	C2384406	Side Fence Grip	1	-
17	39	***5	C2484407	Side Fence Case	2	-
17	39	***6	C2384396	Rear Lower Guide	1	-
17	39	***6	C2384398	Rear Lower Guide CHN	1	-
17	39	***7	C2484428	Rear Side Fence	1	-
17	39	***8	C2484427	Front Side Fence	1	-
17	39	***10	C2484390	Bottom Plate	1	-
17	39	***12	C2384456	Slider Cover	2	-
17	39	***21	C2384395	Front Lower Guide	1	-
17	39	***21	C2384397	Front Lower Guide CHN	1	-
17	39	***24	C2384421	Slider Cover	1	-

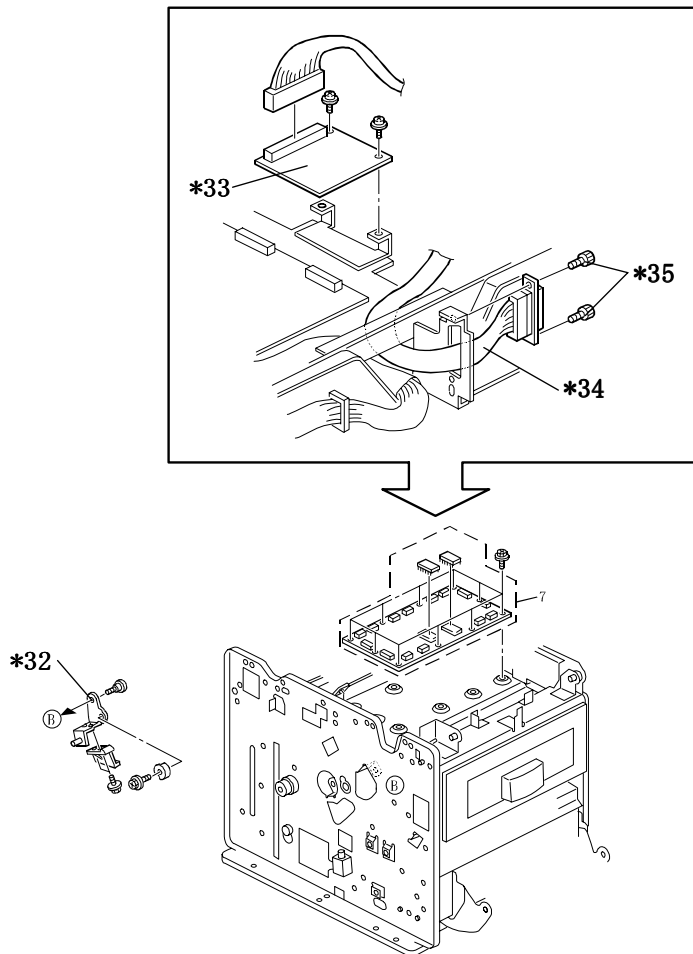
18. MASTER EJECT UNIT(C248)



Sec	Page	Index	Parts No.	Description	Q'ty	MB No.
18	41	***1	C2483521	Decal – Eject Box	1	-
18	41	***4	C2483510	Master Eject Box	1	-
18	41	***5	C2483541	Unit Cover	1	-
18	41	****7	C2373509	Guide Plate	1	MC237005
18	41	****13	C2373508	Pressure Plate Shaft	1	MC237005
18	41	****14	C2373507	Pressure Plate	1	MC237005
18	41	****27	C2098260	DC motor	1	MC237004
18	41	****42	C2313519	Second Gear - B4	1	-
18	41	****42	C2373519	Second Gear - LG, A4	1	MC237006
18	41	****43	C2313518	First Gear - B4	1	-
18	41	****43	C2373518	First Gear - LG, A4	1	MC237006
18	41	*48	C2373454	Front Side Plate	1	-
18	41	*49	C2372456	Rear Side Plate	1	-
18	41	**** 105	09504010B	Screw – M4x10	2 to 4	MC237005

NOTE: Index numbers *48 and *49 are also used in the C237 model.

20.ELECTRICAL SECTION 1 (C248)



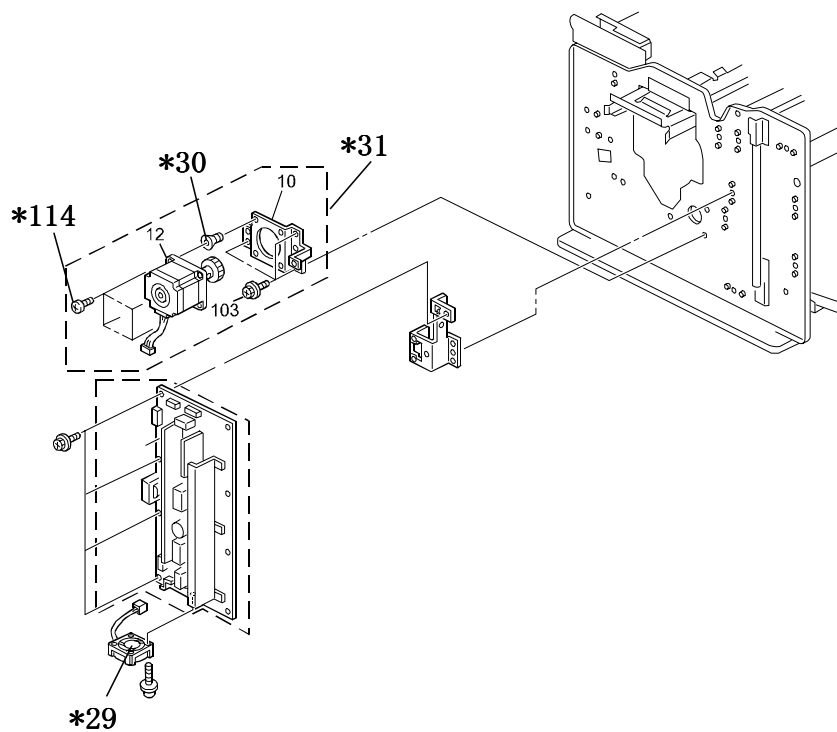
Sec	Page	Index	Parts No.	Description	Q'ty	MB No.
20	45	***3	C2481359	LED Cover Bracket	1	-
20	45	****7	C2375100	MPU Board	1	-
20	45	****7	C2375150	MPU Board – Asia	1	-
20	45	****7	C2375160	MPU Board – CHN	1	MC237012
20	45	****9	C2375105	Main ROM	1	-
20	45	****9	C2375155	Main ROM – Asia	1	-
20	45	****9	C2375165	Main ROM – CHN	1	MC237012
20	45	****11	C2375201	DC Harness	1	MC237004
20	45	****11	C2375230	Paper Feed Harness	1	MC237004
20	45	***22	C2481370	Power Supply Cord Cap	1	-
20	45	***28	C2485660	Decal – Master Set	1	-

Model: PRIPORT SILVER-V/SILVER-V2	Date: 26-Dec-02	No: M-C237-013
--	------------------------	-----------------------

Sec	Page	Index	Parts No.	Description	Q'ty	MB No.
20	45	***29	C2485606	MPU Cover	1	-
20	45	***31	C2375107	Feed ROM	1	-
20	45	***31	C2375167	Feed ROM – CHN	1	MC237012
20	45	*32	C2374061	Master Eject Clamp Lever	1	MC237010
20	45	*33	C5801011	Interface Board	1	MC237001
20	45	*34	C5801510	Relay Harness	1	MC237001
20	45	*35	C5801550	Stepped Screw – M2.6	2	MC237001

NOTE: Index numbers *32, *33, *34, and *35 are also used in the C237 model.

21.ELECTRICAL SECTION 2 (C248)



Sec	Page	Index	Parts No.	Description	Q'ty	MB No.
21	47	***13	54431239	Plate Nut – Key Counter	1	-
21	47	***28	C2392455	Key Counter Cover	1	-
21	47	*29	C2375302	Power Supply Fan	1	MC237004
21	47	*30	C4031899	Rubber Bushing – M4	4	MC231013
21	47	*31	C2372872	Registration Dive Assembly	1	MC231013
21	47	*114	03540140B	Screw – M4X14	4	MC231013

NOTE: Index numbers *29, *30, *31, and *114 are also used in the C237 model.

Model: PRIPORT SILVER-V/SILVER-V2

Date: 26-Dec-02

No: M-C237-013

25.DECALS AND DOCUMENTS (C248)

Sec	Page	Index	Parts No.	Description	Q'ty	MB No.
25	61	***1	C2331295	Decal – Ink Supply	1	-
25	61	***2	C2481721	Decal – Front Original Set	1	-
25	61	***3	C2481722	Decal – Rear Original Set	1	-
25	61	***4	C2481302	Decal – Paper Exit Pawl	1	-
25	61	***4	C2481312	Decal – Paper Exit Pawl CHN	1	-
25	61	***5	C2483521	Decal – Eject Box	1	-
25	61	***6	C2485660	Decal – Master Set	1	-
25	61	***7	C2481303	Decal – Scanner Open	1	-
25	61	****10	C2312519	Decal – Drum Replace	1	-
25	61	****10	C2312529	Decal – Drum Replace CHN	1	-
25	61	***11	C2482937	Decal – Paper Feed Pressure	1	-
25	61	***11	C2482939	Decal – Paper Feed Pressure CHN	1	-
25	61	***12	C2482995	Decal – Side Fence	1	-
25	61	***13	C2482996	Decal – Paper Set	1	-
25	61	***14	C2482997	Decal – Paper Level	1	-
25	61	***15	C2482998	Decal – Paper Size	1	-
25	61	**16	C2488608	Operating Instructions – English (RIC-AA)	1	-
25	61	**16	C2488688	Operating Instructions – English (GES-AA)	1	-
25	61	**16	C2488690	Operating Instructions – English (NRG-EU)	1	-
25	61	**16	C2488697	Operating Instructions – English (USA)	1	-
25	61	**16	C2488698	Operating Instructions – English (STD)	1	-
25	61	****18	C2291354	Caution Decal	1	-
25	61	***18	C2391359	Decal Paper Feed	1	-
25	61	**19	C2481321	Decal – Emblem 5308b+	1	-
25	61	**19	C2481322	Decal – Emblem 1225B+	1	-
25	61	**19	C2481323	Decal – Emblem CP308b+	1	-
25	61	**19	C2481324	Decal – Emblem 5308+	1	-
25	61	**19	C2481325	Decal – Emblem 1225+	1	-
25	61	**19	C2481326	Decal – Emblem CP308+	1	-

Model: PRIPORT SILVER-V/SILVER-V2	Date: 26-Dec-02	No: M-C237-013
--	------------------------	-----------------------

Sec	Page	Index	Parts No.	Description	Q'ty	MB No.
25	61	***19	C2481327	Decal – Emblem JP1250	1	-
25	61	***19	C2481341	Decal – Emblem JP1215	1	-
25	61	***19	C2481342	Decal – Emblem 5300	1	-
25	61	***19	C2481343	Decal – Emblem JP1255	1	-
25	61	***19	C2481344	Decal – Emblem SD350	1	-

26.ACCESSORIES AND SPECIAL TOOLS (C248)

Sec	Page	Index	Parts No.	Description	Q'ty	MB No.
26	63	***2	C5771351	Drum Decal – Red	1	-
26	63	***2	C5771352	Drum Decal – Blue	1	-
26	63	***2	C5771353	Drum Decal – Green	1	-
26	63	***2	C5771354	Drum Decal – Brown	1	-
26	63	***2	C5771359	Drum Decal – White	1	-
26	63	***6	C5841010	Option Drum Case Ass'y	1	-
26	63	***7	C5831330	Decal – Drum Model LG	1	-
26	63	***7	C5841330	Decal – Drum Model B4	1	-
26	63	***7	C5851330	Decal – Drum Model A4	1	-
26	63	***8	C5841310	Decal – Drum Position	1	-

PM PARTS INDEX

Section name	Parts No.	Description	Q'ty	Page-Index
8. Paper Feed Section	C2372806	Friction Pad Guide	1	21-30

NOTE: The Friction Pad Guide (C2372806) was added to PM Parts for China only.

Model: PRIPORT SILVER-V/SILVER-V2

Date: 26-Dec-02

No: M-C237-013

CUT IN SERIAL NUMBERS (START SERIAL NUMBERS)

Model Name	Drum	V/Hz	Destination	Code	Serial Number
Ricoh JP1235 Gestetner 5309L Savin 3160DNP Lanier LDD020	Legal	120/60	North America	C248-52	F2621250001
Standard SD350	Legal	120/60	North America	C248-61	*No production yet
Gestetner 5308b+	B4	110-120 /50,60	Taiwan Latin America	C248-63	*No production yet
Ges 5308b+ Rex 1225B+ Nsa CP308b+	B4	220-240 /50,60	Europe	C248-72	*No production yet
Gestetner 5308b+	B4	220-240 /50,60	Asia, etc.	C248-73	*No production yet
Ricoh JP1215	A4	220-240 /50,60	Europe CIS	C248-74	*No production yet
Ges 5308+ Rex 1225+ Nsa CP308+	A4	220-240 /50,60	Europe India	C248-75	*No production yet
Ricoh JP1255	B4	220-240 /50,60	Europe Latin America	C248-77	*No production yet
Ricoh JP1255	B4	220-240 /50,60	Asia, etc.	C248-79	*No production yet
Gestetner 5300	B4	220-240 /50,60	China	C248-82	*No production yet
Ricoh JP1250	B4	220-240 /50,60	China	C248-96	*No production yet

Model: PRIPORT SILVER-V/SILVER-V2		Date: 6-Mar-03	No: M-C237-014
Modified Article: Parts catalog correction		Prepared by:	
From: Priport Service Planning Section		H. Onodera	
Classification: <input checked="" type="checkbox"/> Parts catalog correction <input type="checkbox"/> Vendor change <input type="checkbox"/> To meet standards <input type="checkbox"/> To facilitate assembly <input type="checkbox"/> To improve reliability () <input type="checkbox"/> Part standardization <input type="checkbox"/> Other ()			
Model Name:			
SILVER-V: Ricoh JP1210/1230/1250, Gestetner 5308(L/b)/5300, RexRotary 1225(B), nashuatec CP308(b), Savin 3150eDNP, Standard SD330			
SILVER-V2: Ricoh JP1250/1215/1235/1255, Gestetner 5300/5308(+/b+)/5309L, RexRotary 1225(+/B+), nashuatec CP308(+/b+), Savin 3160DNP, Standard SD350, Lanier LDD020			

Please correct your parts catalogs as follows.

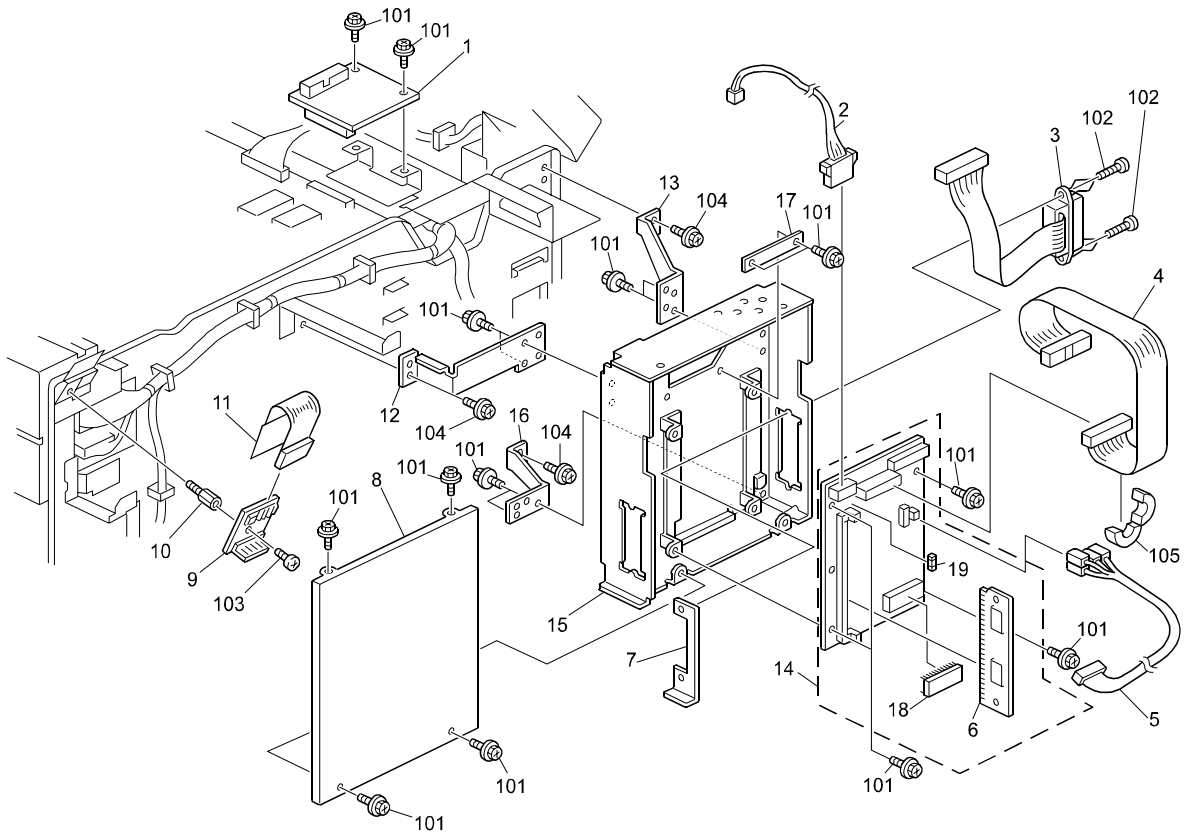
Part number	Incorrect description	Correct description	Q'ty	Int	Page	Index
C2371455	Operation panel – ZOOM (Chinese)	Operation panel – (Asia)	1	-	9	1

NOTE: This correction is for Silver-V models only.

Model: PRIPORT SILVER-V/SILVER-V2/SV2P		Date: 30-Sep-03	No: M-C237-015
Modified Article: New Model SV2P information (China only)		Prepared by:	
From: Priport Service Planning Section		M. Ohtsubo	
Classification:	<input type="checkbox"/> Parts catalog correction	<input type="checkbox"/> Vendor change	<input type="checkbox"/> To meet standards
	<input type="checkbox"/> To facilitate assembly	<input type="checkbox"/> To improve reliability	()
	<input type="checkbox"/> Part standardization	<input checked="" type="checkbox"/> Other (New machine information)	
Model Name:			
SILVER-V:	Ricoh JP1210/1230/1250, Gestetner 5308(L/b)/5300, RexRotary 1225(B), nashuatec CP308(b), Savin 3150eDNP, Standard SD330		
SILVER-V2:	Ricoh JP1250/1215/1235/1255, Gestetner 5300/5308(+/b+)/5309L, RexRotary 1225(+/B+), nashuatec CP308(+/b+), Savin 3160DNP, Standard SD350, Lanier LDD020		
SV2P (China only):	Ricoh JP1260P, Gestetner 5310P		

This bulletin lists the components unique to Model SV2P (C253). Please add this list and the accompanying illustration to your Silver-V2 (C248) Parts Catalogs.

Notes: Please also see RTB #R-C231-015 for revisions made to the Service Manual due to minor changes applied to Model SV2P.

27. PRINTER CONTROLLER UNIT (C253)

Model: PRIPORT SILVER-V/SILVER-V2/SV2P

Date: 30-Sep-03

No: M-C237-015

Sec	Index	Parts No.	Description	Q'ty	Note
27	1	C5801011	Video I/F Board	1	
27	2	C2535300	Controller Power Cable	1	
27	3	C2495415	Interface Harness	1	
27	4	C2535401	Flat Cable	1	
27	5	C2531001	Panel Harness	1	
27	6	C6135005	SIMM 16MB	1	
27	7	C2495646	Plate	1	
27	8	C6135645	Shading Plate	1	
27	9	C6131005	Keypad PCB	1	
27	10	C2495659	Keypad PCB Stud	1	
27	11	C6131011	Panel	1	
27	12	C2495654	Stand – Left	1	
27	13	C2495655	Stand – Right	1	
27	14	C6135297	Controller Board	1	
27	15	C6135631	Controller Box	1	
27	16	C2495656	Stand – Lower Right	1	
27	17	C2183039	Flat Cable Clamp	1	
27	18	C6135012	Flash Memory	1	
27	19	11070914	Fuse 451001.MR	1	
27	101	04513006B	Tapping Screw – M3x6		
27	102	03530080Z	Philips Trass Head Screw – M3x8		
27	103	07120030B	Hexagon nut – M3		
27	104	04514006B	Tapping Screw - 4x6		
27	105	16070663	Ferrite Core		
27	-	C6136036	CD-ROM		
27	-	C6138626	Operating Instructions – CHN		

Model: PRIPORT SILVER-V/SILVER-V2/SV2P		Date: 7-Oct-04	No: M-C237-016
Modified Article: Pressure Roller		Prepared by:	
From: Priport Service Planning Section		M. Ohtsubo	
Classification: <input type="checkbox"/> Parts catalog correction <input type="checkbox"/> Vendor change <input type="checkbox"/> To meet standards <input type="checkbox"/> To facilitate assembly <input checked="" type="checkbox"/> To improve reliability () <input type="checkbox"/> Part standardization <input type="checkbox"/> Other ()			
Model Name:			
SILVER-V: Ricoh JP1210/1230/1250, Gestetner 5308(L/b)/5300, RexRotary 1225(B), nashuatec CP308(b), Savin 3150eDNP, Standard SD330			
SILVER-V2: Ricoh JP1250/1215/1235/1255, Gestetner 5300/5308(+/b+)/5309L, RexRotary 1225(+/B+), nashuatec CP308(+/b+), Savin 3160DNP, Standard SD350, Lanier LDD020			
SV2P (China only): Ricoh JP1260P, Gestetner 5310P			

Please note that this bulletin pertains to the Silver-V / Silver-V2 / SV2P B4 models (does not apply to A4/LG models).

Silver-V Parts Catalog

Old #	New #	Description	Qty	Int	Page	Index
C2373050	C2483050	Pressure Roller Assembly - B4	1	X/O	29	14

Silver-V2 (Use Silver-V parts catalog)

Old #	New #	Description	Qty	Int	Page	Index
C2373050	C2483050	Pressure Roller Assembly - B4	1	X/O	29	14

SV2P (Use Silver-V parts catalog)

Old #	New #	Description	Qty	Int	Page	Index
C2373050	C2483050	Pressure Roller Assembly - B4	1	X/O	29	14

- NOTE:**
- The new pressure roller above is the same roller as P/N #C2379002 (brown roller). See RTB #RC231-014 for more details.
 - The parts list of Silver-V2 and SV2P was issued by MB #MC237-013 and #MC237-015. But the pressure roller is not listed on those MB because the pressure roller is the same as for Silver-V and Silver-V2/SV2P. Please check the Silver-V parts catalog for Silver-V2 or SV2P.

Change: Material change of pressure roller surface.

Reason: To make sure the master does not wrinkle, which can sometime cause an ink leak from the trailing edge or ink to rub off onto other copies.

Model: PRIPORT SILVER-V/SILVER-V2/SV2P

Date: 7-Oct-04

No: M-C237-016

CUT IN SERIAL NUMBERS

Model Name	Drum	V/Hz	Destination	Code	Serial Number
Silver-V	-	-	-	C237-xx	Discontinued
Ricoh JP1235 Gestetner 5309L Savin 3160DNP Lanier LDD020	Legal	120/60	North America	C248-52	-
Standard SD350	Legal	120/60	North America	C248-61	-
Gestetner 5308b+	B4	120/60	Taiwan Latin America	C248-63	F2630950154
Ges 5308b+ Rex 1225B+ Nsa CP308b+	B4	230/50	Europe	C248-72	F2630950217
Gestetner 5308b+	B4	230/50	Asia, etc.	C248-73	F2630950427
Ricoh JP1215	A4	230/50	Europe CIS	C248-74	-
Ges 5308+ Rex 1225+ Nsa CP308+	A4	230/50	Europe India	C248-75	-
Ricoh JP1255	B4	230/50	Europe Latin America	C248-77	F2630950638
Ricoh JP1255	B4	230/50	Asia, etc.	C248-79	F2630950951
Gestetner 5300	B4	230/50	China	C248-82	February 2004
Ricoh JP1250	B4	230/50	China	C248-96	January 2004
Gestetner 5310P	B4	230/50	China	C253-82	F4240170001
Ricoh JP1260P	B4	230/50	China	C253-96	F4131270001

Model: PRIPORT SILVER-V/SILVER-V2/SV2P		Date: 6-Jan-05	No: M-C237-017
Modified Article: Main Motor Control Board		Prepared by:	
From: Priport Service Planning Section		M. Ohtsubo	
Classification: <input type="checkbox"/> Parts catalog correction <input type="checkbox"/> Vendor change <input type="checkbox"/> To meet standards <input type="checkbox"/> To facilitate assembly <input checked="" type="checkbox"/> To improve reliability () <input type="checkbox"/> Part standardization <input type="checkbox"/> Other ()			
Model Name:			
SILVER-V: Ricoh JP1210/1230/1250, Gestetner 5308(L/b)/5300, RexRotary 1225(B), nashuatec CP308(b), Savin 3150eDNP, Standard SD330			
SILVER-V2: Ricoh JP1250/1215/1235/1255, Gestetner 5300/5308(+/b+)/5309L, RexRotary 1225(+/B+), nashuatec CP308(+/b+), Savin 3160DNP, Standard SD350, Lanier LDD020			
SV2P (China only): Ricoh JP1260P, Gestetner 5310P			

Silver-V Parts Catalog

Old #	New #	Description	Qty	Int	Page	Index	Note
C2375101	C2485101	Main Motor Control Board	1	X/O	45	17	

Silver-V2 (Use Silver-V parts catalog)

Old #	New #	Description	Qty	Int	Page	Index	Note
C2375101	C2485101	Main Motor Control Board	1	X/O	45	17	

SV2P (Use Silver-V parts catalog)

Old #	New #	Description	Qty	Int	Page	Index	Note
C2375101	C2485101	Main Motor Control Board	1	X/O	45	17	

NOTE: - The parts list of Silver-V2 and SV2P was issued by MB #MC237-013 and #MC237-015. But the main motor control board is not listed on those MB because the main motor control board is a common part between Silver-V and Silver-V2/SV2P. Please check the Silver-V parts catalog for Silver-V2 or SV2P.

Change: The FET used on the main motor control board has changed from 2SK3452 to 2SK1257.

Reason: The FET has been changed to ensure SC E-06 does not show on the display. The FET cannot handle large electrical loads.

Model: PRIPORT SILVER-V/SILVER-V2/SV2P

Date: 6-Jan-05

No: M-C237-017

CUT IN SERIAL NUMBERS

Model Name	Drum	V/Hz	Destination	Code	Serial Number
Silver-V	-	-	-	C237-xx	Discontinued
Ricoh JP1235 Gestetner 5309L Savin 3160DNP Lanier LDD020	Legal	120/60	North America	C248-52	F2640850001
Standard SD350	Legal	120/60	North America	C248-61	F2640850186
Gestetner 5308b+	B4	120/60	Taiwan Latin America	C248-63	F2640850241
Ges 5308b+ Rex 1225B+ Nsa CP308b+	B4	230/50	Europe	C248-72	F2640750294
Gestetner 5308b+	B4	230/50	Asia, etc.	C248-73	F2640750436
Ricoh JP1215	A4	230/50	Europe CIS	C248-74	F2640750457
Ges 5308+ Rex 1225+ Nsa CP308+	A4	230/50	Europe India	C248-75	F2640750517
Ricoh JP1255	B4	230/50	Europe Latin America	C248-77	F2640750580
Ricoh JP1255	B4	230/50	Asia, etc.	C248-79	F2640750592
Gestetner 5300	B4	230/50	China	C248-82	From July 2004 production
Ricoh JP1250	B4	230/50	China	C248-96	From July 2004 production
Gestetner 5310P	B4	230/50	China	C253-82	From July 2004 production
Ricoh JP1260P	B4	230/50	China	C253-96	From July 2004 production

Model: PRIPORT SILVER-V/SILVER-V2/SV2P		Date: 3-Mar-05	No: M-C237-018
Modified Article: MPU Board		Prepared by:	
From: Priport Service Planning Section		M. Ohtsubo	
Classification: <input type="checkbox"/> Parts catalog correction <input type="checkbox"/> Vendor change <input type="checkbox"/> To meet standards <input type="checkbox"/> To facilitate assembly <input checked="" type="checkbox"/> To improve reliability () <input type="checkbox"/> Part standardization <input type="checkbox"/> Other ()			
Model Name:			
SILVER-V: Ricoh JP1210/1230/1250, Gestetner 5308(L/b)/5300, RexRotary 1225(B), nashuatec CP308(b), Savin 3150eDNP, Standard SD330			
SILVER-V2: Ricoh JP1250/1215/1235/1255, Gestetner 5300/5308(+/b+)/5309L, RexRotary 1225(+/B+), nashuatec CP308(+/b+), Savin 3160DNP, Standard SD350, Lanier LDD020			
SV2P (China only): Ricoh JP1260P, Gestetner 5310P			

Silver-V

Old #	New #	Description	Qty	Int	Page	Index	Note
C2375177	14074286	RAM – 16K	1	X/O	57	16	
C2375100	C2485100	MPU Board	1	X/O	45	7	
C2375150	C2485150	MPU Board – ASIA	1	X/O	45	7	
C2375160	C2485160	MPU Board – CHN	1	X/O	45	7	#MC237-012

Silver-V2

Old #	New #	Description	Qty	Int	Page	Index	Note
C2375177	14074286	RAM – 16K	1	X/O	57	16	
C2375100	C2485100	MPU Board	1	X/O	45	7	#MC237-013
C2375150	C2485150	MPU Board – ASIA	1	X/O	45	7	#MC237-013
C2375160	C2485160	MPU Board – CHN	1	X/O	45	7	#MC237-013

SV2P

Old #	New #	Description	Qty	Int	Page	Index	Note
C2375177	14074286	RAM – 16K	1	X/O	57	16	
C2375160	C2485160	MPU Board – CHN	1	X/O	45	7	

Change: The NV-RAM was changed.

Reason: Occasionally, a data reset occurred with the old NV-RAM.

Important:

Before you remove the old NV-RAM, do a data backup. Then, attach the new NV-RAM and re-input the data.

Note:

- To make sure the data reset does not occur, you only need to replace the NV-RAM.
- See MB #MC237-013 for the parts unique to the Silver-V2. See MB #MC237-015 for the parts unique to the SV2P.

Model: PRIPORT SILVER-V/SILVER-V2/SV2P

Date: 3-Mar-05

No: M-C237-018

CUT IN SERIAL NUMBERS

Model Name	Drum	V/Hz	Destination	Code	Serial Number
Silver-V	-	-	-	C237-xx	Discontinued
Ricoh JP1235 Gestetner 5309L Savin 3160DNP Lanier LDD020	Legal	120/60	North America	C248-52	F2640950001
Standard SD350	Legal	120/60	North America	C248-61	F2640850186
Gestetner 5308b+	B4	120/60	Taiwan Latin America	C248-63	F2640850241
Ges 5308b+ Rex 1225B+ Nsa CP308b+	B4	230/50	Europe	C248-72	F2640850243
Gestetner 5308b+	B4	230/50	Asia, etc.	C248-73	F2640850337
Ricoh JP1215	A4	230/50	Europe CIS	C248-74	F2640850346
Ges 5308+ Rex 1225+ Nsa CP308+	A4	230/50	Europe India	C248-75	F2640850438
Ricoh JP1255	B4	230/50	Europe Latin America	C248-77	F2640850487
Ricoh JP1255	B4	230/50	Asia, etc.	C248-79	F2640850508
Gestetner 5300	B4	230/50	China	C248-82	From August 2004
Ricoh JP1250	B4	230/50	China	C248-96	From August 2004
Gestetner 5310P	B4	230/50	China	C253-82	From August 2004
Ricoh JP1260P	B4	230/50	China	C253-96	From August 2004